



US008896730B2

(12) **United States Patent**
Fossum

(10) **Patent No.:** **US 8,896,730 B2**
(45) **Date of Patent:** ***Nov. 25, 2014**

(54) **METHOD OF OPERATING A CMOS IMAGER USING COLOR INTERPOLATION**

(71) Applicant: **Round Rock Research, LLC**, Jersey City, NJ (US)

(72) Inventor: **Eric R. Fossum**, Wolfeboro, NH (US)

(73) Assignee: **Round Rock Research, LLC**, Parsippany, NJ (US)

(*) Notice: Subject to any disclaimer, the term of this patent is extended or adjusted under 35 U.S.C. 154(b) by 0 days.

This patent is subject to a terminal disclaimer.

(21) Appl. No.: **14/136,439**

(22) Filed: **Dec. 20, 2013**

(65) **Prior Publication Data**

US 2014/0104466 A1 Apr. 17, 2014

Related U.S. Application Data

(63) Continuation of application No. 13/100,534, filed on May 4, 2011, now Pat. No. 8,614,754, which is a continuation of application No. 12/714,414, filed on Feb. 26, 2010, now abandoned, which is a continuation of application No. 10/774,603, filed on Feb. 10, 2004, now Pat. No. 7,916,193, which is a continuation of application No. 09/028,961, filed on Feb. 23, 1998, now Pat. No. 6,704,049.

(51) **Int. Cl.**

H04N 3/14 (2006.01)
H04N 5/335 (2011.01)
H04N 9/04 (2006.01)
H04N 5/374 (2011.01)

(52) **U.S. Cl.**

CPC **H04N 5/374** (2013.01); **H04N 9/045** (2013.01); **H04N 2209/046** (2013.01)
USPC **348/272**; **348/222.1**

(58) **Field of Classification Search**

CPC ... G06T 3/4007; G06T 3/4015; G06T 3/4038; G06T 2207/20216; H04N 2209/045-2209/047; H04N 9/045
USPC 348/266, 272-280; 382/260-265
See application file for complete search history.

(56) **References Cited**

U.S. PATENT DOCUMENTS

5,652,621 A 7/1997 Adams, Jr. et al.
5,852,468 A 12/1998 Okada

(Continued)

FOREIGN PATENT DOCUMENTS

WO 9720434 A1 6/1997
WO 9735438 A1 9/1997

OTHER PUBLICATIONS

Robert B. Darling and Robert B. Pinter, System Issues in the Implementation of Sensory Neural Network Photodetector Arrays, IEEE Pacific Rim Conference Paper, May 9-10, 1991.

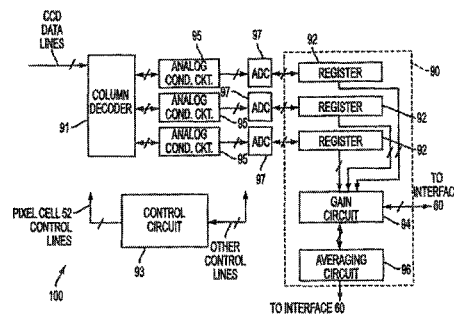
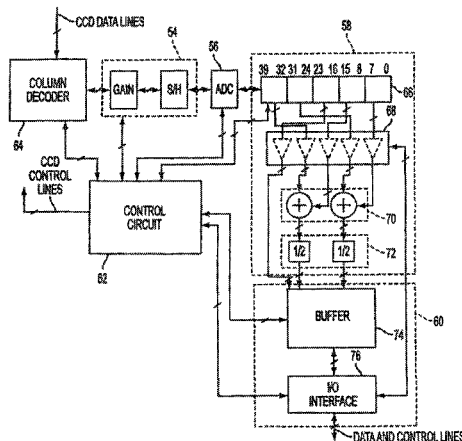
Primary Examiner — Nelson D. Hernández Hernández

(74) *Attorney, Agent, or Firm* — Lerner, David, Littenberg, Krumholz & Mentlik, LLP

(57) **ABSTRACT**

An imager has first and second photosensitive sites and an interpolator located in a semiconductor substrate. The first photosensitive site is configured to receive light having a spectral component, and the second photosensitive site is configured to measure the level of the spectral component in light received by the second photosensitive site. The interpolator is configured to estimate the level of the spectral component in the light received by the first photosensitive site based on the measurement by the second photosensitive site.

13 Claims, 6 Drawing Sheets



(56)

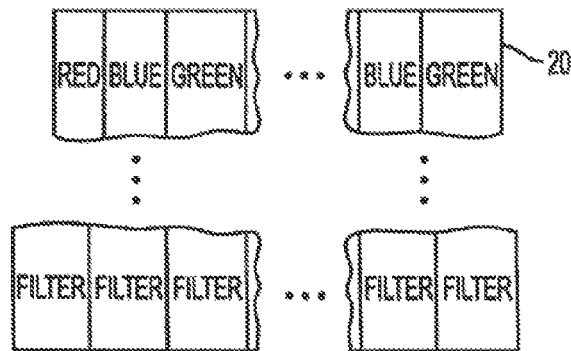
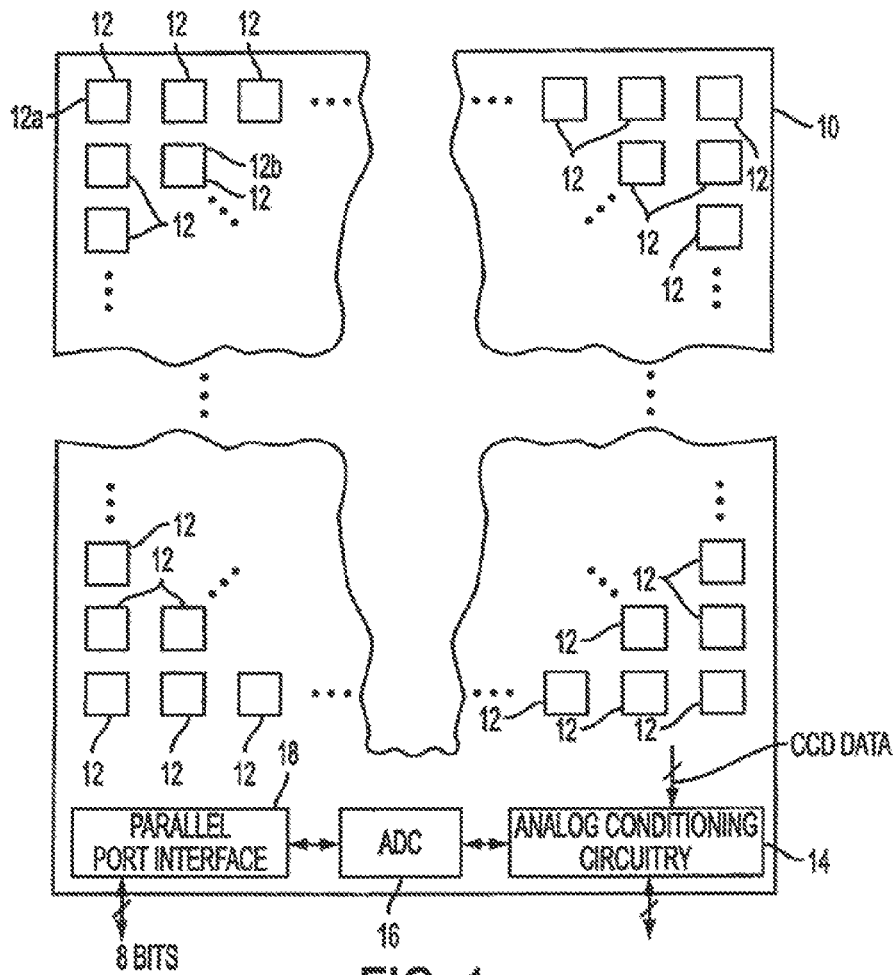
References Cited

U.S. PATENT DOCUMENTS

5,990,946 A 11/1999 Sakurai et al.
6,091,851 A 7/2000 Acharya

6,133,953 A 10/2000 Okada
6,133,954 A 10/2000 Jie et al.
7,916,193 B2 3/2011 Fossum
8,614,754 B2 * 12/2013 Fossum 348/272

* cited by examiner



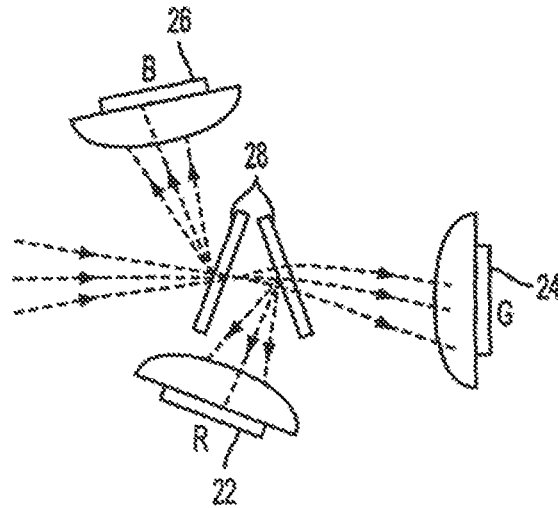


FIG. 3
(PRIOR ART)

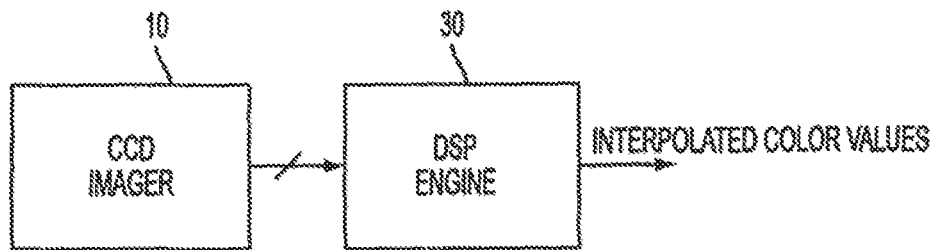


FIG. 4
(PRIOR ART)

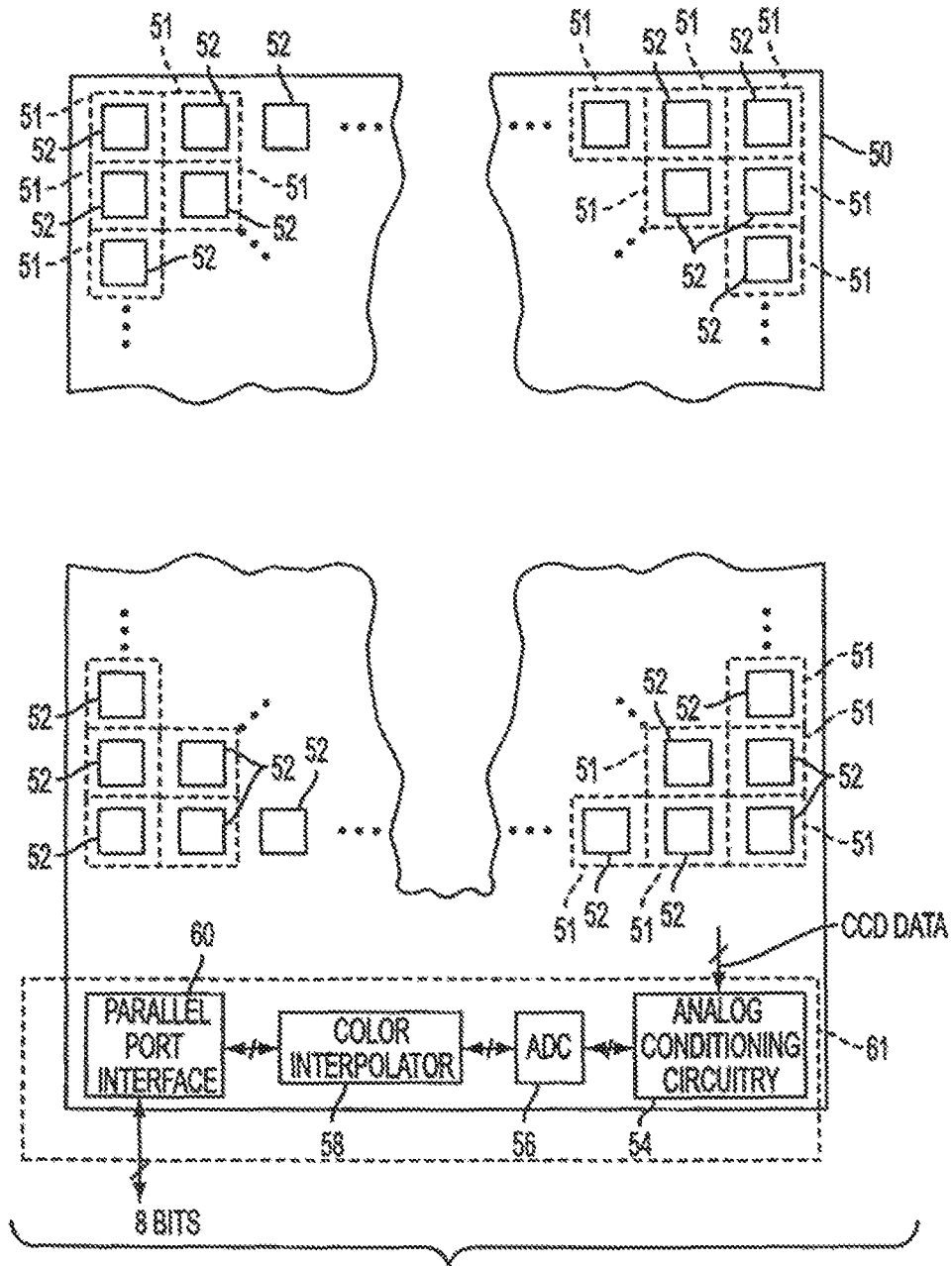


FIG. 5

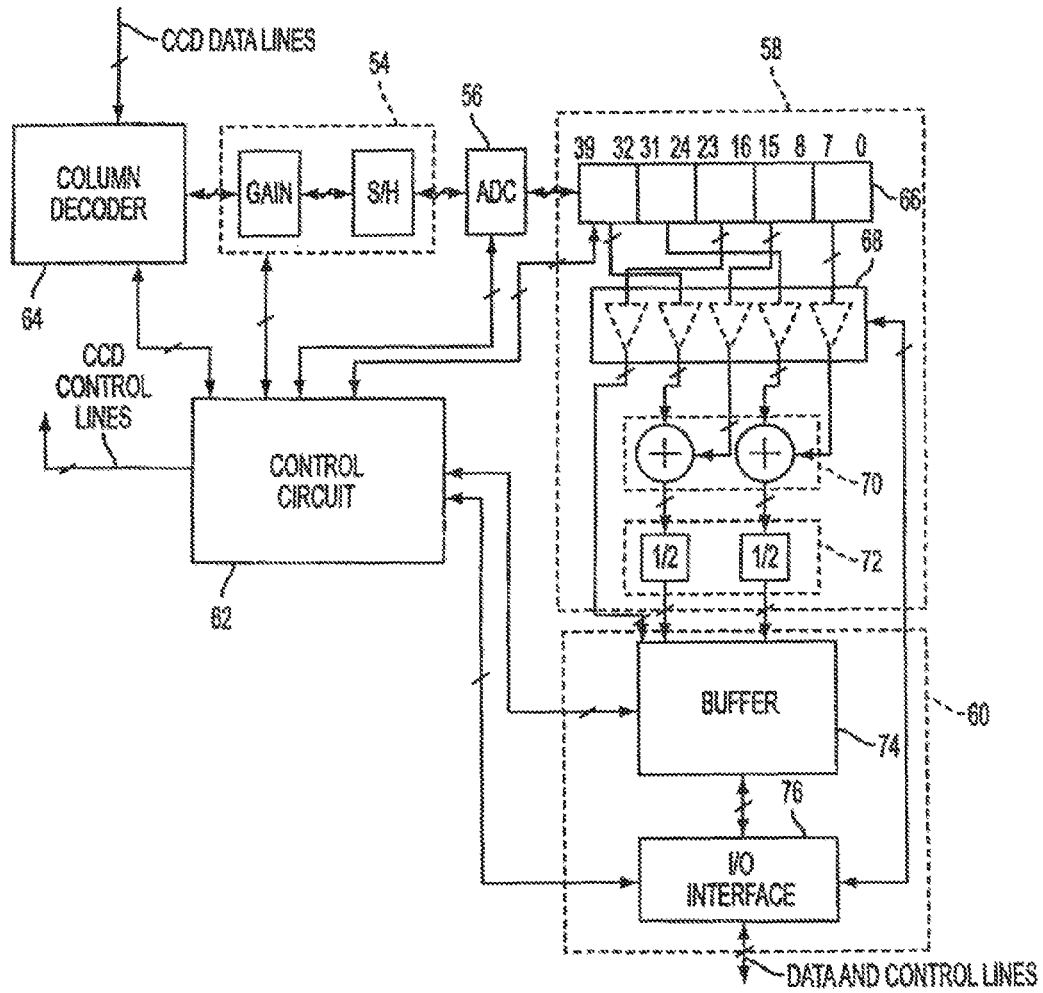


FIG. 6

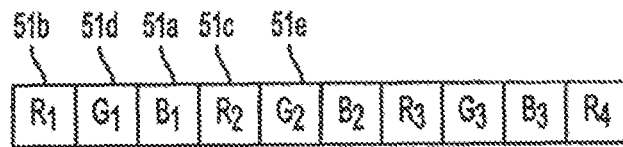


FIG. 7A

	G ₃	$\frac{3}{8}B_2 + \frac{3}{4}B_3$	$\frac{3}{8}R_4 + \frac{3}{4}R_3$
74	R ₃	$\frac{3}{8}G_2 + \frac{3}{4}G_3$	$\frac{3}{8}B_3 + \frac{3}{4}B_2$
	B ₂	$\frac{3}{8}R_2 + \frac{3}{4}R_3$	$\frac{3}{8}G_3 + \frac{3}{4}G_2$
	G ₂	$\frac{3}{8}B_1 + \frac{3}{4}B_2$	$\frac{3}{8}R_3 + \frac{3}{4}R_2$
69b	R ₂	$\frac{3}{8}G_1 + \frac{3}{4}G_2$	$\frac{3}{8}B_2 + \frac{3}{4}B_1$
69a	B ₁	$\frac{3}{8}R_1 + \frac{3}{4}R_2$	$\frac{3}{8}G_2 + \frac{3}{4}G_1$

69

FIG. 7B

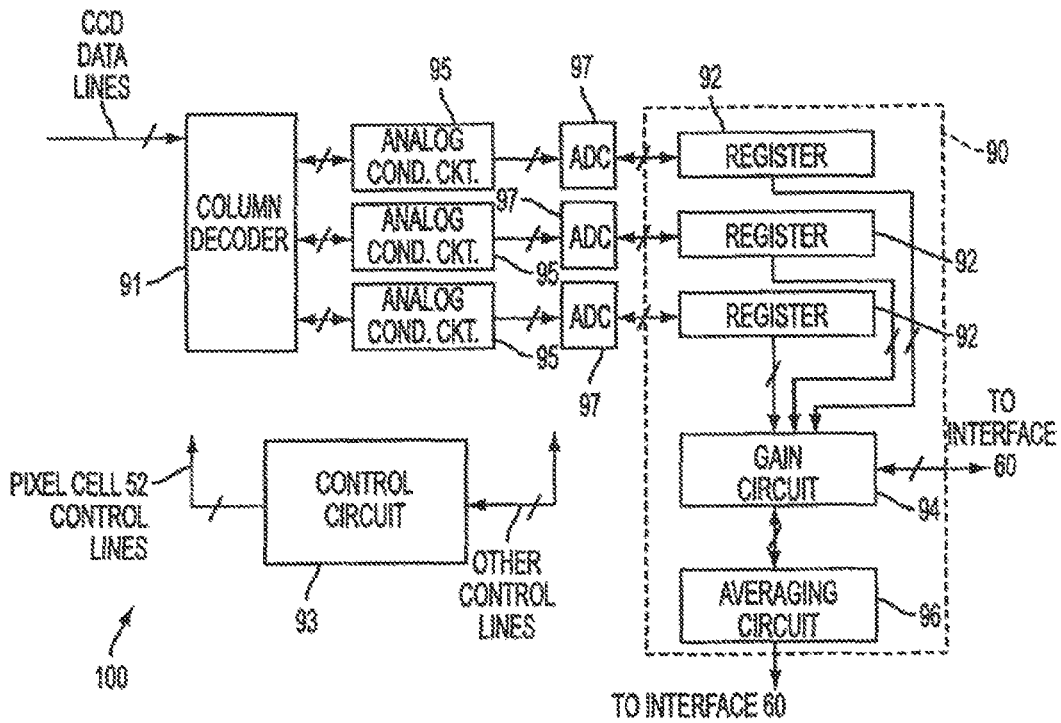


FIG. 8

METHOD OF OPERATING A CMOS IMAGER USING COLOR INTERPOLATION

CROSS-REFERENCE TO RELATED APPLICATIONS

This application is a continuation of U.S. application Ser. No. 13/100,534, which was filed on May 4, 2011, which is scheduled to issue as U.S. Pat. No. 8,614,754 on Dec. 24, 2013, which is a continuation of U.S. patent application Ser. No. 12/714,414, filed on Feb. 26, 2010, which was abandoned on Jul. 27, 2012, which is a continuation of U.S. patent application Ser. No. 10/774,603, filed on Feb. 10, 2004, which issued as U.S. Pat. No. 7,916,193, on Mar. 29, 2011, which is a continuation of U.S. patent application Ser. No. 09/028,961, filed on Feb. 23, 1998, which issued as U.S. Pat. No. 6,704,049 on Mar. 9, 2004, the disclosures of which are incorporated herein by reference.

BACKGROUND OF THE INVENTION

The invention relates to color interpolation.

FIG. 1 shows a semiconductor imager 10 (e.g., a complementary metal-oxide semiconductor (CMOS) imager) might be used to electrically capture “snapshots” of an optical image. The imager is used to convert an optical image into an electrical representation. The imager 10 accomplishes this conversion through the use of an array of sensing elements arranged as pixel cells 12 that sense the intensity of light coming from the image. The “exposure time” for each snapshot depends on an integration interval during which each pixel cell 12 integrates an indication of the number of photons of light striking the cell 12 (i.e., measures an intensity of light striking the cell 12) and provides an indication of the integrated value via an analog output signal. For CMOS imagers, on-chip analog conditioning circuitry 14 (e.g., circuitry to perform correlated double sampling and gain control) and an analog-to-digital converter (ADC) 16 process the analog outputs of the pixel cells 12 to provide a digital representation of the image which can be retrieved from the imager 10 through a parallel port interface 18.

The pixel cells 12 provide an indication of the intensity of light striking the cell 12. Hence, the above-described arrangement may be used to produce a monochrome or luminance only representation of the image. However, to produce color representations of the image, the imager also needs to provide information about primary colors (e.g., red, green and blue colors) of the image. To accomplish this, each pixel cell 12 is configured to sense the intensity level of light in one of the primary color bands. A typical way to accomplish this is to cover each pixel cell 12 with a spectrum-discriminating filter (e.g., a filter that only allows a red, green or blue color band to pass through the filter). As a result, some pixel cells 12 sense red light, some pixel cells 12 sense green light and some pixel cells 12 sense blue light. As an example, a multiband filter pattern 20 (see FIG. 2) placed over the array of pixel cells 12 may have alternating red, green and blue filter stripes that extend along the columns of the array. Thus, each filter stripe of the pattern 20 configures one of the columns of the array to sense light in one of the primary color bands. As another example, the filter pattern may be checkered, instead of striped.

Each pixel cell 12 captures a portion of the image. To maximize the resolution of the image when reproduced on a display, it is desirable to form a one-to-one correspondence between the pixel cells 12 of the imager 10 and pixels of the display. However, with color imagers, three adjacent pixel

cells 12 (each pixel cell 12 sensing a different primary color band) are typically used to provide the information needed to form one pixel on the display. Thus, when used to capture color images, the effective display pixel resolution of the imager 10 typically is one third of the actual pixel cell 12 resolution.

For purposes of preserving a one-to-one correspondence between the pixel cells 12 and the pixels of the display, one solution is to form an imager having three times as many pixel cells as corresponding pixels of the display to compensate for the three primary colors. Referring to FIG. 3, another solution is to use three imagers 22, 24, and 28, one for each primary color band of the image. Thus, for example, one imager 22 (covered by a red filter) senses red light, one imager 24 (covered by a green filter) senses green light, and one imager 26 (covered by a blue filter) senses the blue light coming from the image. Dichroic plates 28 may be used to split the light into beams into its primary colors.

Referring to FIG. 4, a third solution might be to use an off chip discrete-time signal processing (DSP) engine 30 to interpolate the two missing colors for each pixel cell 12. To accomplish this, the DSP engine 30 processes the color information provided by adjacent pixel cells 12. Typically, nearest neighbors are weighted with predetermined coefficients and averaged to determine a color at a particular pixel cell location. For example, referring back to FIG. 1, a pixel cell 12a that is covered by a red filter provides a representation of a red color of the portion of the image striking the cell 12a. To ascertain the blue color of the portion of the image otherwise striking the cell 12a (if not for the red filter), the DSP engine 30 averages (a weighted representation of) the outputs of adjacent pixel cells 12b and 12c (i.e., adjacent pixel cells covered by a blue filter) to interpolate the missing blue color. The DSP engine 30 also interpolates the green color of the portion of the image that would otherwise strike the cell 12a in a similar manner.

BRIEF SUMMARY OF THE INVENTION

In general, in one aspect, the invention features an imager that has first and second photosensitive sites and an interpolator located in a semiconductor substrate. The first photosensitive site is configured to receive light having a spectral component, and the second photosensitive site is configured to measure the level of the spectral component in light received by the second photosensitive site. The interpolator is configured to estimate the level of the spectral component in the light received by the first photosensitive site based on the measurement by the second photosensitive site.

Implementations of the invention may include one or more of the following. The first and/or second photosensitive sites may include a pixel cell and a filter that covers the pixel cell. The filter covering the first photosensitive site may be configured to prevent the spectral component from striking the pixel cell, and the filter covering the second photosensitive site may be configured to allow the spectral component to strike the pixel cell. The first photosensitive site may also be configured to measure the level of another spectral component in light received by the first photosensitive site, and the interpolator may be also configured to estimate the level of the another spectral component in the light received by the second photosensitive site based on the measurement by the first photosensitive site.

The imager may also include a third photosensitive site (also located in the substrate) that is configured to measure the level of the other spectral component in light received by the third photosensitive site. The first photosensitive site may

3

also be configured to receive light having the another spectral component, and the interpolator may also be configured to estimate the level of the spectral components in the light received by the first photosensitive site based on the measurements by the second and third photosensitive sites.

In general, in another aspect, the invention features an imager that has first and second photosensitive sites and an interpolator located in a semiconductor substrate. Each first photosensitive site is configured to receive light having a spectral component, and each second photosensitive site is configured to measure the level of the spectral component in light received by the second photosensitive site. The interpolator is configured to estimate the level of the spectral component in the light received by at least one of the first photosensitive sites based on the measurements by the second photosensitive sites.

Implementations of the invention may include one or more of the following. The interpolator may include an averaging circuit that is configured to perform the estimation by averaging some of the measurements by the second photosensitive sites. The interpolator may also include a scaling circuit that is configured to scale some of the measurements by predetermined coefficients before being averaged by the averaging circuit. The scaling circuit may be programmable to change one or more of the coefficients. The first and second photosensitive sites may be part of an array of photosensitive sites (e.g., located in a column of the array, a row of the array, or arranged in a rectangular block of an array).

In general, in another aspect, the invention features a color imager for use with light having first, second and third primary color bands. The imager has first, second and third photosensitive sites and an interpolator located in a semiconductor substrate. Each first photosensitive site is configured to receive a portion of the light and measure a level of the first primary color band in the portion of light received by the first photosensitive site. Each second photosensitive site is configured to receive a portion of the light and measure a level of the second primary color band in the portion of light received by the second photosensitive site. Each third photosensitive site is configured to receive a portion of the light and measure a level of the third primary color band in the portion of light received by the third photosensitive site. The interpolator is configured to estimate the levels of the second and third primary color bands in the light received by the first photosensitive sites based on the measurements by the second and third photosensitive sites; estimate the levels of the first and third primary color bands in the light received by the second photosensitive sites based on the measurements by the first and third photosensitive sites; and estimate the levels of the first and second primary color bands in the light received by the third photosensitive sites based on the measurements by the first and second photosensitive sites.

Implementations of the invention may include one or more of the following. The interpolator may be also configured to furnish a representation of the levels of the first, second and third primary color bands for each of the first, second and third photosensitive sites. The representation for each site may include a representation (e.g., a true color representation) of the color of the light received by the site.

In general, in another aspect, the invention features a method that includes using a first photosensitive site located in a semiconductor substrate to receive light having a spectral component. A second photosensitive site located in the substrate is used to measure the level of the spectral component in light received by the second photosensitive site. An interpolator located in the substrate is used to estimate the level of

4

the spectral component in the light received by the first photosensitive site based on the measurement by the second photosensitive site.

In general, in another aspect, the invention features a method that includes using first photosensitive sites located in a semiconductor substrate to receive light having a spectral component. Second photosensitive sites located in the substrate are used to measure the level of the spectral component in light received by each of the second photosensitive sites. An interpolator located in the substrate is used to estimate the level of the spectral component in the light received by at least one of the first photosensitive sites based on the measurements by the second photosensitive sites.

Among the advantages of the invention are one or more of the following. True color imaging occurs on a single semiconductor chip. The pixel cells of the imager and the pixels of the display have a one-to-one correspondence. Only one imager is required. The imager may be used with many commonly used color filter patterns.

Other advantages will become apparent from the following description and from the claims.

BRIEF DESCRIPTION OF THE DRAWINGS

- FIG. 1 is a schematic view of a semiconductor imager.
- FIG. 2 is a schematic view of color filters.
- FIG. 3 is a block diagram of a system to interpolate color.
- FIG. 4 is a schematic view of an optical system to separate light into primary color components.
- FIG. 5 is a schematic view of a semiconductor imager.
- FIG. 6 is an electrical schematic diagram of circuitry of the imager of FIG. 5.
- FIG. 7A is a representation of the contents of the serial register of FIG. 6.
- FIG. 7B is a representation of the contents of the buffer of FIG. 6.
- FIG. 8 is an electrical schematic diagram of another imager.

DETAILED DESCRIPTION

FIG. 5 shows a CMOS imager 50 located on a monolithic semiconductor substrate, or chip. The illustrated embodiment is constructed to furnish twenty-four bit True Color data, e.g., eight bits representing a red color, eight bits representing a green color, and eight bits representing a blue color, for every photosensitive site 51. Each photosensitive site 51 is a region of the imager 50 that includes a pixel cell 52. As a result of this arrangement, a one-to-one correspondence between pixel cells 52 of the imager 50 and pixels of a display used to display the image captured by the imager 50 is preserved without requiring a larger imager, complicated optics, or off-chip color interpolation. The imager 50 has an on chip color interpolator 58 which, for each photosensitive site 51, estimates the level of the primary colors that are not sensed by the pixel cell 52 at that photosensitive site 51. The color sensed by the pixel cell 52 is determined by a primary color filter of the site 51 that covers the pixel cell 52. In this manner, the primary color filter (which is a red, green or blue filter) covers the cell 52. Each cell 52 senses the level of light by measuring the intensity of the light in one of the primary color bands (e.g., red, green or blue) but does not sense the level of light in the other two primary color bands. The interpolator 58 estimates the missing color levels for the site 51 by using the outputs of pixel cells 52 in adjacent photosensitive sites 51 that are sensing these color levels.

The photosensitive sites 51 (and corresponding pixel cells 52) are arranged in a rectangular array of rows and columns.

To estimate the missing color levels for a given photosensitive site **51** (i.e., to estimate the color levels not sensed by the site **51**), the interpolator **58** may be configured to use pixel cells **52** in the same row, same column, or both (e.g., the interpolator **58** may use a block of pixel cells **52** that surround the given photosensitive site **51**). Although many configurations are possible, as discussed below, a multi-band column oriented filter pattern (See FIG. 2) is assumed, and pixel cells **52** from the same row are used in the interpolation.

FIG. 6 shows analog conditioning circuitry **54** to perform correlated double sampling of the analog outputs of the pixel cells **52** and provide gain control. This circuitry receives the analog outputs of the pixel cells **52**. The circuitry **54** furnishes its output to an analog-to-digital converter **56** which converts the analog outputs of the pixel cells **52** into digital data and supplies the digital data to the interpolator **58**. After an integration interval has passed, the pixel cells **52** have captured a snapshot of the image. At that time a column decoder **64** begins routing the outputs of the pixel cell **52** to the analog conditioning circuitry **54** for processing. The decoder **64** sequentially selects one row of pixels **52** and serially provides the analog outputs of the pixel cells **52** of the row that is selected (i.e., provides all of the columns of the selected row) to the analog conditioning circuitry **54**. A control circuit **62** controls the integration of the light by the pixel cells **52** and the overall timing of the imager **50**. The True Color data may be read from the imager **50** at a parallel port interface **60**.

The interpolator **58** estimates the levels of the missing color levels for a given photosensitive site **51** using the outputs of other pixel cells **52** that are close to the given photosensitive site **51**. As one example, the interpolator **58** may be configured to use a one dimensional approach by serially processing photosensitive sites **51** and the corresponding pixel cells **52** at the photosensitive sites **51** from the same row of the array. The processing of a given photosensitive site **51** includes retrieving the color level sensed by the pixel cell **52** of the given photosensitive site **51** and estimating the missing color levels. The estimation uses the interpolator **58** to form the outputs of the last two pixel cells **52** that were processed and the next two pixel cells **52** to be processed to estimate the two missing color levels for the photosensitive site **51** currently being processed. The interpolator **58** performs a weighted average of the outputs from the pixel cells **52** to estimate the missing color levels.

For example, FIG. 7A shows a photosensitive site **51a** is covered by a blue filter which filters out red and green light from striking the corresponding pixel cell **52**. To estimate the red light that would otherwise strike the pixel cell **52** if not for the blue filter (i.e., to estimate the level of red light striking the photosensitive site **51a**), the interpolator **58** forms a weighted average of the outputs of pixel cells **52** in adjacent photosensitive sites **51b** and **51c** that are covered by a red filter. Similarly, to estimate the green light that would otherwise strike the pixel cell **52** if not for the blue filter (i.e., to estimate the level of green light striking the photosensitive site **51a**), the interpolator **58** uses a weighted average of the outputs of pixel cells **52** in adjacent photosensitive sites **51d** and **51e** that are covered by a green filter.

The estimate of color level for a given photosensitive site **51** uses a number of different values. The weight given by the interpolator **58** to the actual color level from another photosensitive site **51** is a function of the distance between the given photosensitive site **51** and the photosensitive site **51** furnishing the actual color level. For example, to estimate the level of green light striking the photosensitive site **51a** (see FIG. 7A), the interpolator **58** might be configured to apply twice as much weight to the output of the pixel cell **52** in

adjacent photosensitive site **51d** than to the output of the pixel cell **52** twice as far away, such as pixel cell **52e**.

FIG. 6 shows the hardware of the interpolator **58** including a five stage serial register **66**. The least significant bits zero to fifteen of the register contain eight bit digital representations of actual color levels for the last two photosensitive sites **51** and corresponding pixel cells **52** processed. The most significant bits twenty-four to thirty-nine of the register **66** contain eight bit digital representations of actual color levels for the next two photosensitive sites **51** and corresponding pixel cells **52** to be processed. The other bits sixteen to twenty-three of the register **66** contain an eight bit representation of the actual color level for the photosensitive site **51** and corresponding pixel cell **52** being processed.

Each photosensitive site **51** assembles the twenty-four bit True Color representation in a buffer **74** (of the parallel port interface **60**) as follows. The interpolator **58** transfers the bits **16-23** of the register **66** which are representative of an actual color level, to the buffer **74** without any further processing. The interpolator **58** assigns a weight via scalar multipliers to the values represented by the bits **32-39** and **8-15** of the register **66**. The interpolator **58** also averages (via adders **70** and a "divide-by-two" circuitry **72**) these values to estimate one of the missing color values, and stores the resultant eight bit color value in the buffer **74**. The twenty-four bit representation is completed by the interpolator **58** assigning a weight to the values represented by the bits **24-31** and **0-7**, average these values together, and stores the resultant eight bit color value in the buffer **75**. The twenty-four bit True Color value may then be retrieved from the buffer **74** (and from the parallel port interface **60**) via an I/O interface **76** that is configured to communicate with off chip devices.

FIGS. 7A and 7B show the red-green-blue ("RGB") byte ordering of the stored twenty-four bit color values **69** circularly rotates, and the most significant byte of the color value **69** corresponds to the actual color level sensed by the pixel cell **52** in the corresponding photosensitive site **51**. As an example, for the twenty-four bit color value **69a** representative of the color sensed by the pixel cell **52** in photosensitive site **51a**, the most significant byte represents the actual blue color level (**B1**) sensed by the pixel cell in photosensitive site **51a**, the next significant byte represents the estimated red color level for the photosensitive site **51a**, and the least significant byte represents the estimated green color level for the photosensitive site **51a**.

The gains of the scalar multipliers **68** (i.e., the weighting applied by the interpolator **58**) may either be fixed or programmable, FIG. 6 shows the gains being programmable, with the I/O interface **76** having writable and readable registers used to program the gains of the multipliers.

The one dimensional color interpolation approach discussed above can be extended to two dimensional interpolation. In such an approach, the outputs from pixel cells **52** from more than one row are used to estimate the missing color levels of a photosensitive site **51**. For example, FIG. 8 shows another interpolator **90** of another imager **100** having three serial, five stage registers **92**. Similar to the register **66**, each register **92** contains digital representations of five adjacent pixel cells **52** of one of three adjacent different rows. Each register **92** has representations from the same column of pixel cells **52**. Thus, the bits of the registers **92** represent the outputs of a 5x3 block of pixel cells **52**. The interpolator **90** includes analog conditioning circuitry **95** and an A/D converter **97** for each register **92**. The integrator **90** also has a gain circuit **94** (e.g., scalar multipliers) and an averaging circuit **96** to provide weighted averaging for the interpolation. The imager **100** uses a column decoder **91** that has three serial outputs

associated with three different adjacent rows of pixel cells **52**. A control circuit **94** controls the integration of the light by the pixel cells **52** and the overall timing of the imager **100**.

Other embodiments are within the scope of the following claims. For example, other filter patterns, such as a checkered filter pattern may cover the array of pixel cells. The array may have more pixel cells dedicated to sensing one of the primary colors than to the other primary colors. For example, to improve the perceived luminance of the reproduced image, the array may have more pixel cells dedicated to sensing green (a color that closely matches the luminance of the human eye) color levels. The imager may represent color in a format other than a True Color representation. For example, six bits may be used to represent a green color level, five bits may be used to represent a blue color level, and five bits may be used to represent a red color level.

Although the invention herein has been described with reference to particular embodiments, it is to be understood that these embodiments are merely illustrative of the principles and applications of the present invention. It is therefore to be understood that numerous modifications may be made to the illustrative embodiments and that other arrangements may be devised without departing from the spirit and scope of the present invention as defined by the appended claims.

The invention claimed is:

1. An imaging system comprising:

an array of pixels adapted to receive light, wherein the array of pixels is disposed on a semiconductor substrate, and wherein the array of pixels includes a red pixel to provide a red pixel signal, a green pixel to provide a green pixel signal, and a blue pixel to provide a blue pixel signal;

and analog-to-digital converter that converts the red, green, and the blue pixel signals from analog to digital signals using a first number of analog-to-digital converters, wherein the analog-to-digital converter is disposed on the semiconductor substrate and is coupled to receive pixel signals from the array, wherein the number of analog to digital converters is at least one;

means for providing pixel signals corresponding to one or more groups of pixels of the array to an interpolator disposed on the semiconductor substrate wherein the interpolator is adapted to estimate an amount of green and blue light received by the red pixel using at least the green and blue pixel signals an amount of red and blue light received by the green pixel using at least the red and

blue pixel signals, and an amount of red and green light received by the blue pixel using at least the red and green pixel signals;

a programmable register set coupled to an external interface, the programmable register set being programmable through the interface, wherein the register set is disposed on the semiconductor substrate, and wherein the interpolator estimate is based on one or more values stored in the register set; and

wherein signals associated with the red, green, and blue pixel signals are output to the interface.

2. The imaging system of claim **1**, wherein said array of pixels includes a plurality of photoreceptors, and a plurality of color filters, each color filter configured to allow a specified color of light to pass to a specified photoreceptor.

3. The imaging system of claim **1**, wherein the photosensitive pixels includes CMOS image sensing pixels.

4. The imaging system of claim **1**, wherein said register stores bits of digital values for each of three primary colors for each of said plurality of photosensitive pixels.

5. The imaging system of claim **4**, wherein at least one of the analog-to-digital converters process pixel signals of at least two different colors.

6. The imaging system of claim **5**, wherein the interpolator digitally averages values to estimate missing color values.

7. The imaging system of claim **1**, wherein the interpolator performs interpolation in accordance with the one or more values to be stored in the register set.

8. The imaging system of claim **7**, wherein the interpolator is to weight pixel values in accordance with the one or more values to be stored in the register set.

9. The imaging system of claim **8**, wherein the red, green, and blue pixel signals are provided each as eight bit values.

10. The imaging system of claim **9**, wherein the red, green, and blue pixel signals are provided each as five, six, and five bit values, respectively.

11. The imaging system as in claim **7**, wherein each group of bits within said interpolator element represents a color level for a specified primary color, and wherein a value of the color of the most significant group of bits of said register changes during each of a plurality of clock cycles.

12. The imaging system of claim **1**, wherein the groups of pixels comprise only red, green, and blue pixels.

13. The imaging system of claim **1**, wherein the interface is external to the imager.

* * * * *