



US007365409B2

(12) **United States Patent**
Fossum

(10) **Patent No.:** **US 7,365,409 B2**
(45) **Date of Patent:** **Apr. 29, 2008**

(54) **TWO-TRANSISTOR PIXEL WITH BURIED RESET CHANNEL AND METHOD OF FORMATION**

(75) Inventor: **Eric R. Fossum**, Wolfeboro, NH (US)

(73) Assignee: **Micron Technology, Inc.**, Boise, ID (US)

(*) Notice: Subject to any disclaimer, the term of this patent is extended or adjusted under 35 U.S.C. 154(b) by 0 days.

(21) Appl. No.: **10/827,379**

(22) Filed: **Apr. 20, 2004**

(65) **Prior Publication Data**

US 2004/0195592 A1 Oct. 7, 2004

Related U.S. Application Data

(63) Continuation of application No. 10/230,079, filed on Aug. 29, 2002, now Pat. No. 6,744,084.

(51) **Int. Cl.**

H01L 27/146 (2006.01)

H01L 31/103 (2006.01)

(52) **U.S. Cl.** **257/461**; 257/292; 257/E27.133; 257/E31.057

(58) **Field of Classification Search** 257/59, 257/72, 222, 223, 225, 228-234, 290-294, 257/431-466

See application file for complete search history.

(56) **References Cited**

U.S. PATENT DOCUMENTS

5,382,975 A * 1/1995 Sakai et al. 348/241
5,614,744 A 3/1997 Merrill

5,633,679 A *	5/1997	Hosier et al.	348/243
5,861,621 A *	1/1999	Takebe et al.	250/214 R
5,912,483 A *	6/1999	Hamada	257/239
6,051,447 A	4/2000	Lee et al.	
6,146,939 A *	11/2000	Dasgupta	438/251
6,150,683 A	11/2000	Merrill et al.	
6,232,626 B1	5/2001	Rhodes	
6,339,248 B1 *	1/2002	Zhao et al.	257/461
6,352,869 B1	3/2002	Guidash	
6,392,263 B1 *	5/2002	Chen et al.	257/292
6,465,846 B1	10/2002	Osanai	
6,545,302 B2	4/2003	Han	
6,670,990 B1 *	12/2003	Kochi et al.	348/310
6,677,676 B1 *	1/2004	Wada et al.	257/734

OTHER PUBLICATIONS

Mabuchi, K. et al.; A 5.5 micrometers CMOS image sensor cell utilizing a buried reset channel; 1997 Symposium on VLSI Technology, 1997. Digest of Technical Papers.; Jun. 10-12, 1997; pp:75-76.*

"A 5.5 μ m CMOS Image Sensor Cell Utilizing A Buried Reset Channel" by Mabuchi et al, 1997 Symposium on VLS Technology Digest of Technical Papers, pp. 75-76.

* cited by examiner

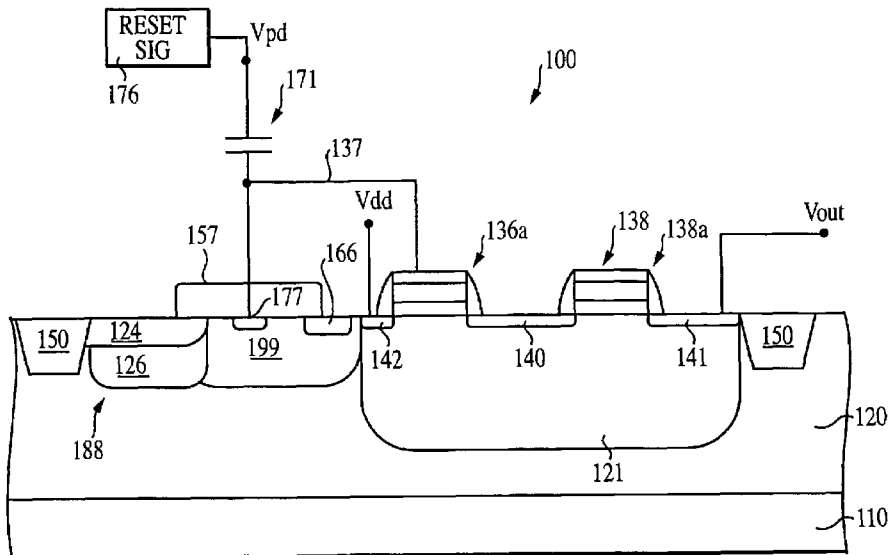
Primary Examiner—Marcos D. Pizarro

(74) *Attorney, Agent, or Firm*—Dickstein Shapiro LLP

(57) **ABSTRACT**

A two-transistor pixel of an imager has a reset region formed adjacent a charge collection region of a photodiode and in electrical communication with a gate of a source follower transistor. The reset region is connected to one terminal of a capacitor which integrates collected charge of the photodiode. The charge collection region is reset by pulsing the other terminal of the capacitor from a higher to a lower voltage.

14 Claims, 6 Drawing Sheets



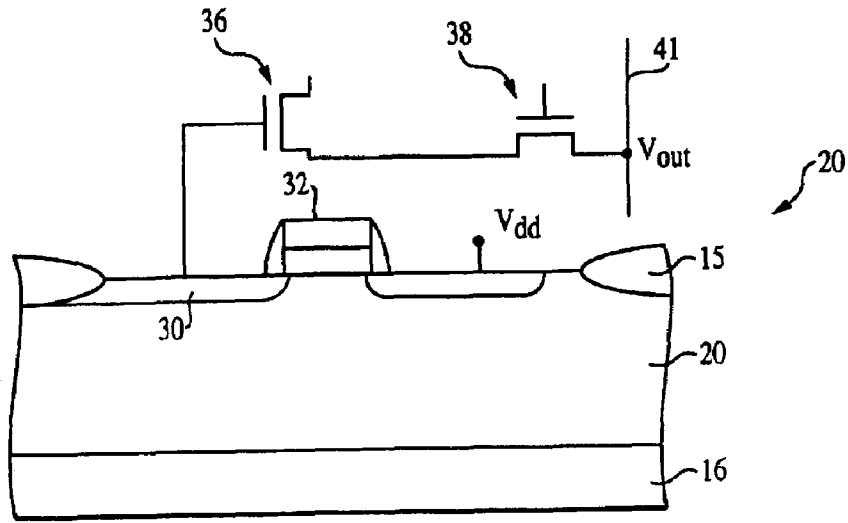


FIG. 1 PRIOR ART

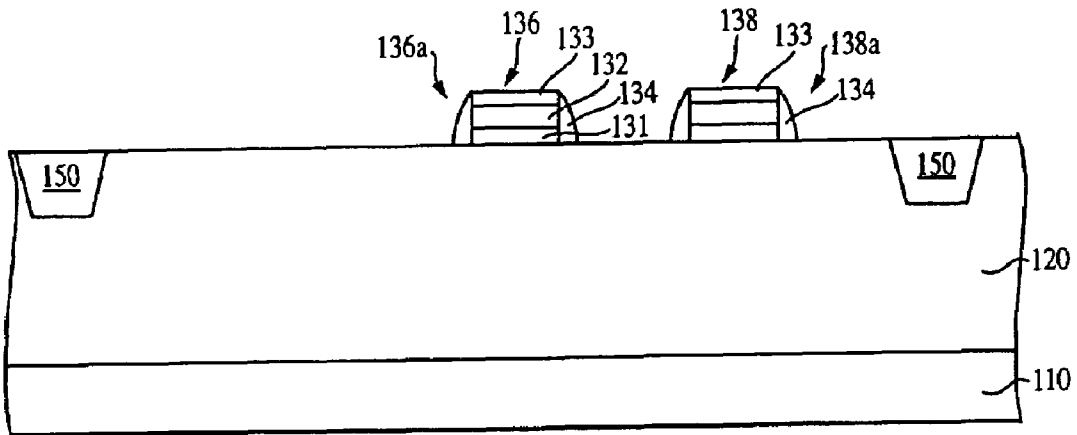


FIG. 2

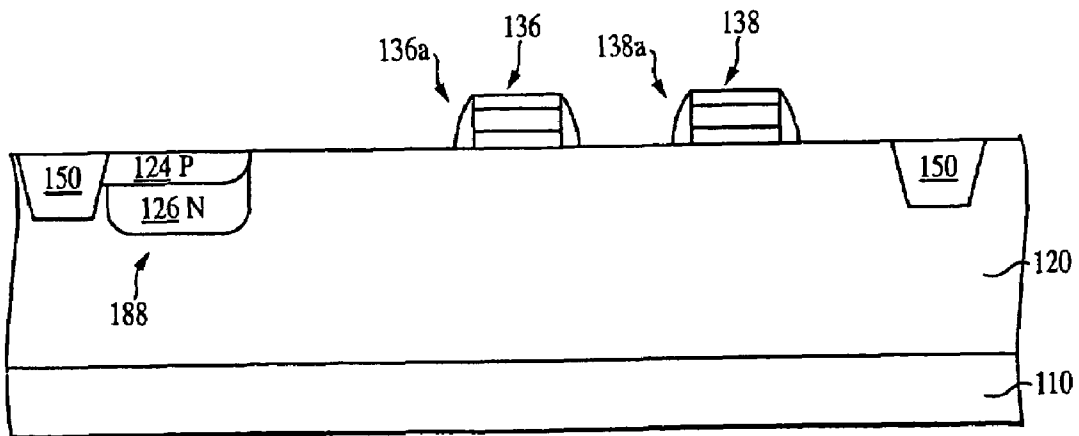


FIG. 3

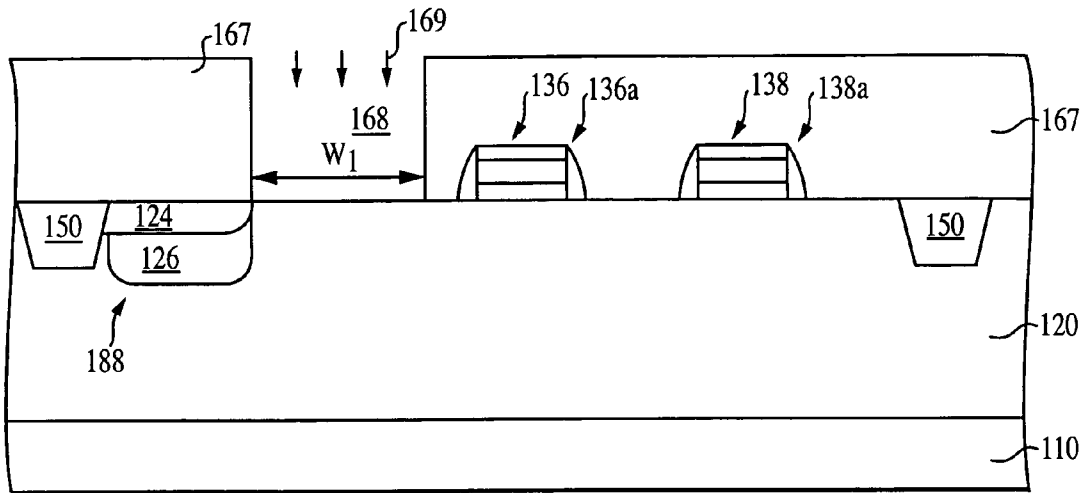


FIG. 4

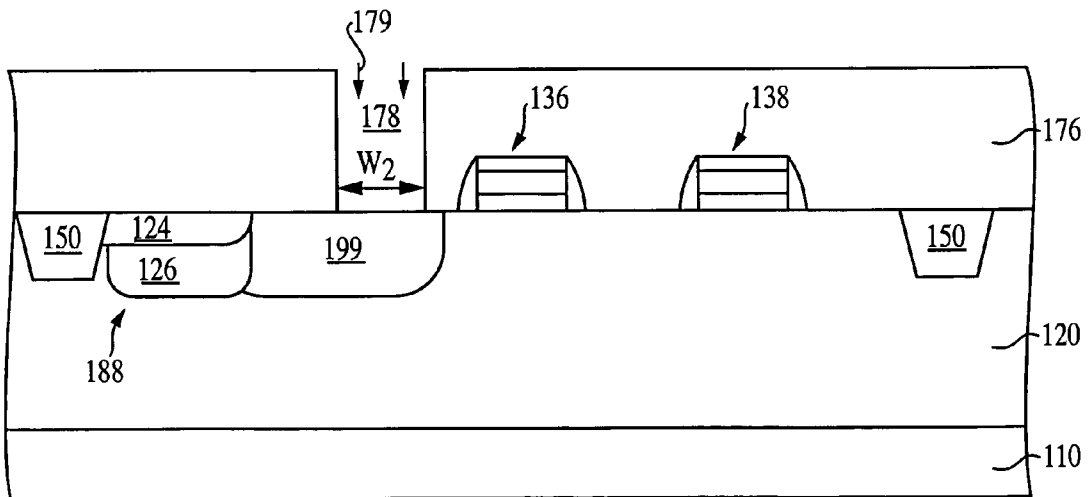


FIG. 5

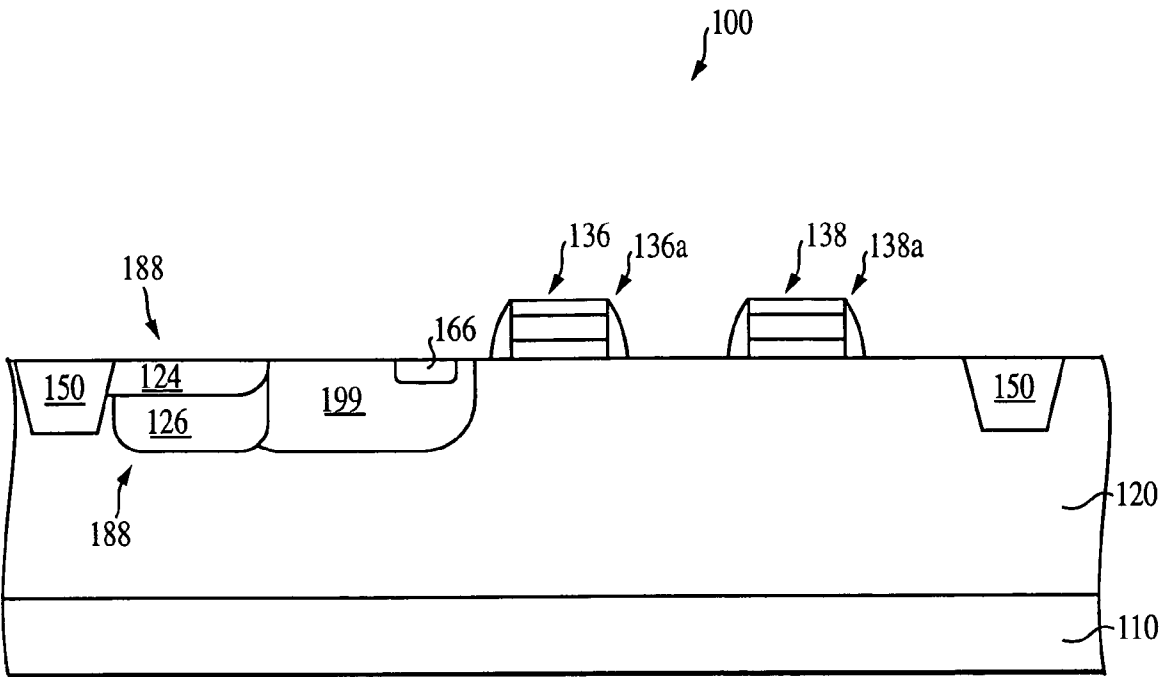


FIG. 6

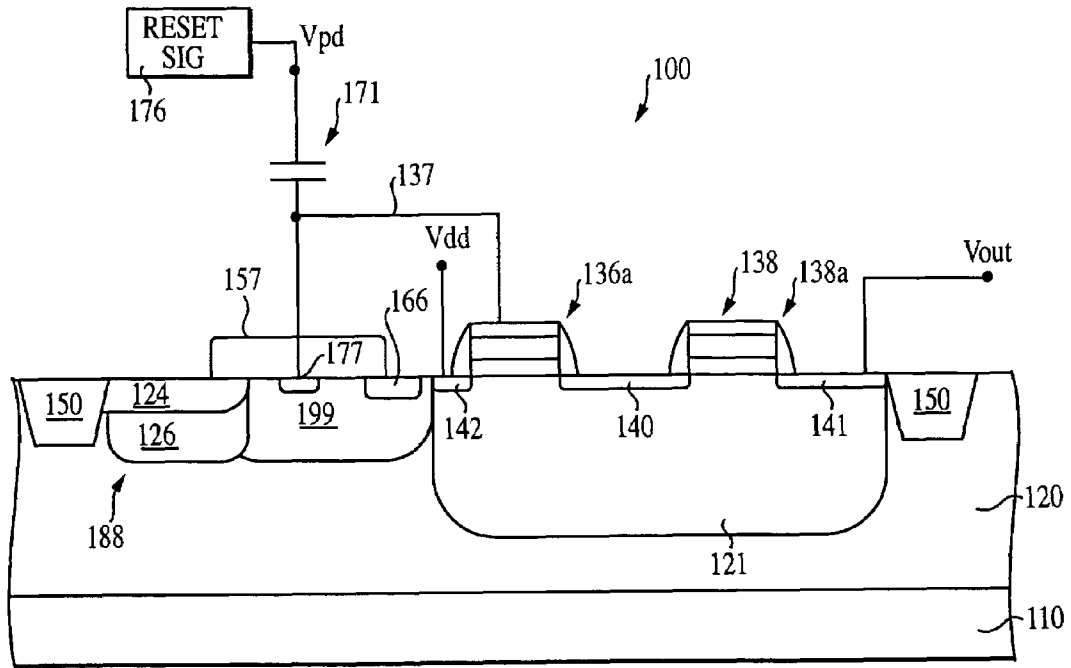


FIG. 7

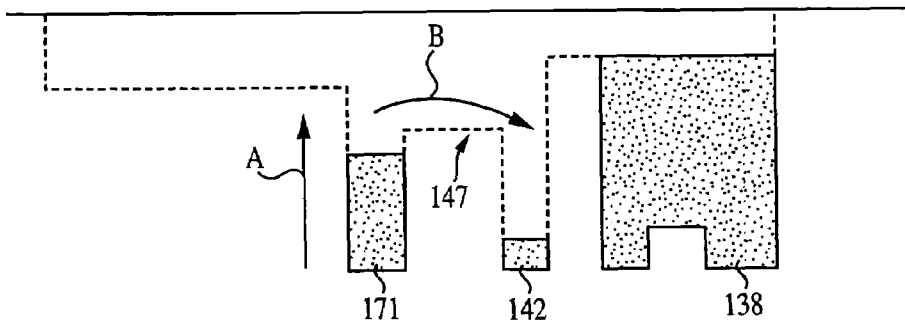


FIG. 8

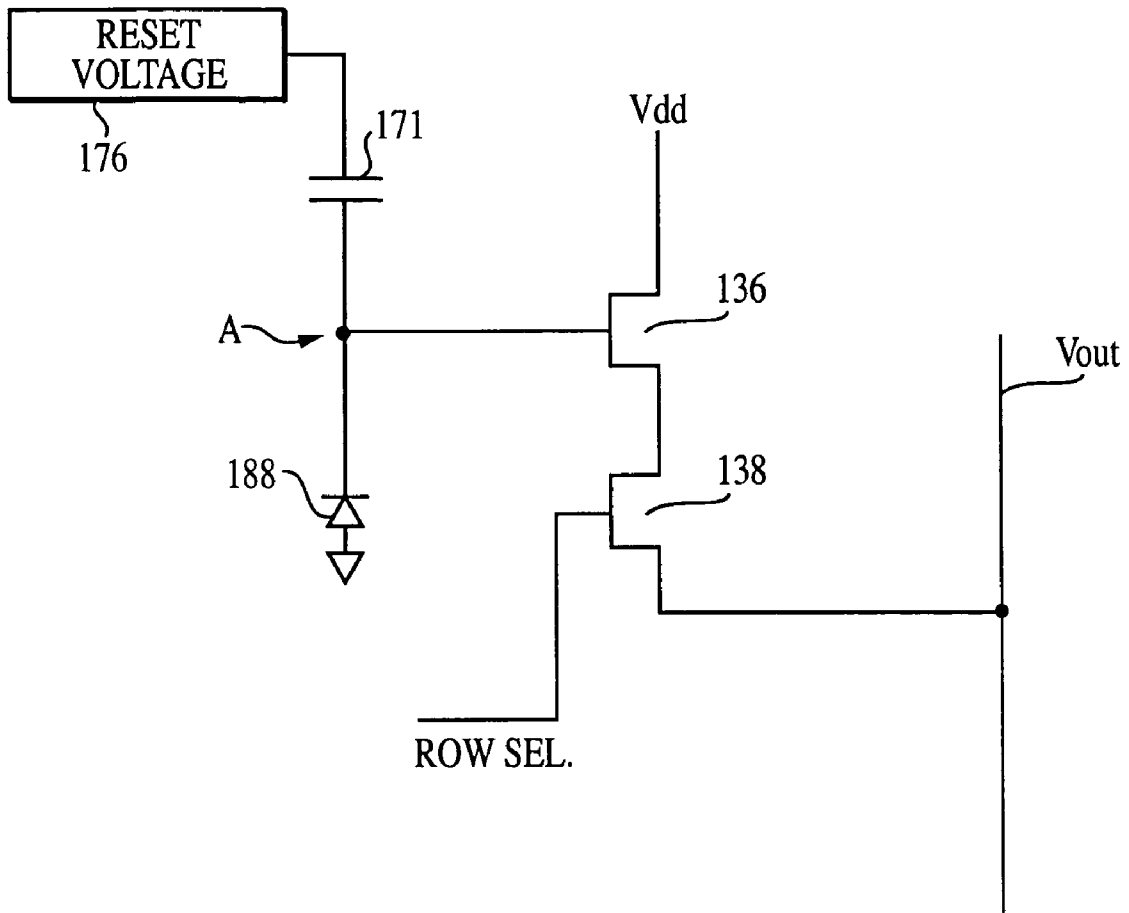


FIG. 9

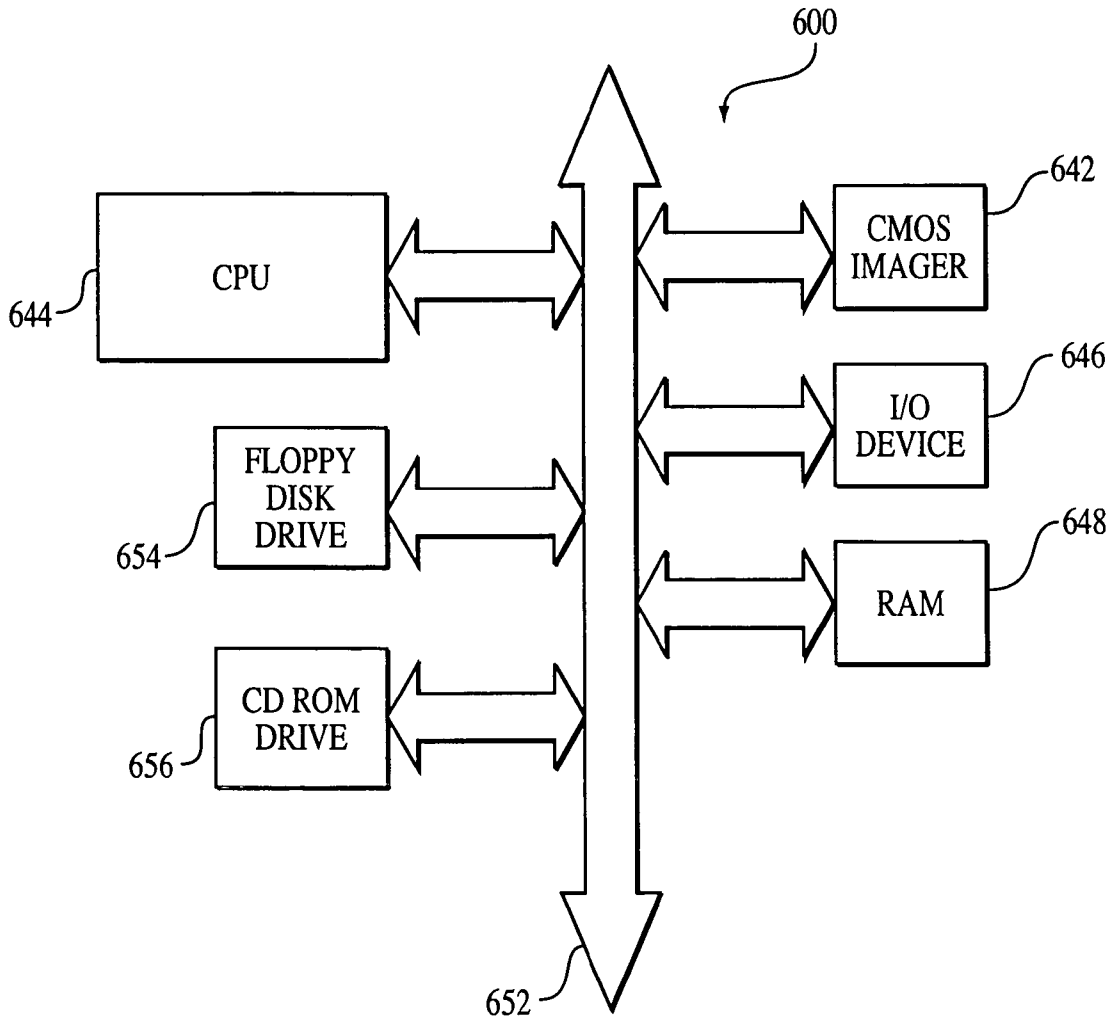


FIG. 10

1

TWO-TRANSISTOR PIXEL WITH BURIED RESET CHANNEL AND METHOD OF FORMATION

This application is a continuation of U.S. application Ser. No. 10/230,079 filed on Aug. 29, 2002, now U.S. Pat. No. 6,744,084 issued on Jun. 1, 2004, the disclosure of which is incorporated by reference herein.

FIELD OF THE INVENTION

The present invention relates to a method and apparatus for resetting a charge collection node of a CMOS imager pixel.

BACKGROUND OF THE INVENTION

CMOS imagers have been increasingly used as low cost imaging devices. A CMOS imager circuit includes a focal plane array of pixel cells, each one of the cells typically including a photodiode for integrating photo-generated charge in the underlying portion of a substrate, a source follower transistor which receives a voltage from the photodiode and provides an output signal, and a reset transistor for resetting the photodiode to a predetermined voltage before a charge integration period. In some implementations a transfer transistor may be used to transfer charge from the photodiode to a diffusion node connected to the source follower transistor.

FIG. 1 illustrates a known three-transistor (3T) pixel cell 20. As shown in FIG. 1, the photocollection region 30 of a photodiode is electrically connected to the gate of a source follower transistor 36, the output of which is selectively applied to column output line 41 by row select transistor 38. Reset transistor 32 selectively resets the photocollection region 30 to a predetermined voltage by coupling a voltage V_{dd} to the photocollection region 30 during a reset period which precedes or follows a charge integration period. A four-transistor (4T) design provides a transfer transistor to switch charge from the photocollection region 30 to the gate of source follower transistor 36.

While the 3T and 4T pixel cell structures work well, there is an ever increasing desire to minimize the number of transistors used in a pixel to reduce pixel size and increase pixel density in an array. There is also a further desire to simplify overall pixel design and fabrication complexity.

BRIEF SUMMARY OF THE INVENTION

The present invention provides a simplified two-transistor (2T) pixel for a CMOS active pixel imager which omits a conventional reset transistor in favor of a buried reset channel region for resetting a charge collection region of a photodiode. The reset region is provided between a voltage source and a photodiode. Reset is accomplished by applying a pulse voltage to one side of a capacitor, the other side of which is coupled to the reset region which forces charge to be ejected from the photodiode.

These and other advantages and features of the present invention will be apparent from the following detailed description and accompanying drawings which illustrate preferred embodiments of the invention.

BRIEF DESCRIPTION OF THE DRAWINGS

FIG. 1 is a schematic illustration of a conventional exemplary 3T pixel cell;

2

FIG. 2 is a substrate cross-sectional view of the beginning stage of fabrication of a pixel cell in accordance with the present invention;

FIG. 3 is a substrate schematic cross-sectional view of the pixel cell at a stage of processing subsequent to that shown in FIG. 2;

FIG. 4 is a substrate schematic cross-sectional view of the pixel cell at a stage of processing subsequent to that shown in FIG. 3;

FIG. 5 is a substrate schematic cross-sectional view of the pixel cell at a stage of processing subsequent to that shown in FIG. 4;

FIG. 6 is a substrate schematic cross-sectional view of the pixel cell at a stage of processing subsequent to that shown in FIG. 5;

FIG. 7 is a substrate schematic cross-sectional view of the pixel cell at a stage of processing subsequent to that shown in FIG. 6;

FIG. 8 illustrates a schematic diagram of the barrier potential of the pixel cell of FIG. 7;

FIG. 9 is a schematic diagram of the pixel structure depicted in FIG. 7; and

FIG. 10 illustrates a block diagram of a computer processor system incorporating an imager device having an array of pixels fabricated according to the present invention.

DETAILED DESCRIPTION OF THE INVENTION

In the following detailed description, reference is made to the accompanying drawings which form a part hereof, and in which is shown by way of illustration specific embodiments in which the invention may be practiced. These embodiments are described in sufficient detail to enable those skilled in the art to practice the invention, and it is to be understood that other embodiments may be utilized, and that structural, logical and electrical changes may be made without departing from the spirit and scope of the present invention.

The term "substrate" is to be understood as a semiconductor-based material including silicon, silicon-on-insulator (SOI) or silicon-on-sapphire (SOS) technology, doped and undoped semiconductors, epitaxial layers of silicon supported by a base semiconductor foundation, and other semiconductor structures. Furthermore, when reference is made to a "substrate" in the following description, previous process steps may have been utilized to form regions or junctions in the base semiconductor structure or foundation. In addition, the semiconductor need not be silicon-based, but could be based on silicon-germanium, germanium, or gallium arsenide.

The term "pixel" refers to a picture element unit cell containing a photosensor and transistors for converting light radiation to an electrical signal. For purposes of illustration, a representative pixel is illustrated in the figures and description herein and, typically, fabrication of all pixels in an imager will proceed simultaneously in a similar fashion. Also, although the invention is described below showing one exemplary cross-sectional arrangement of the pixel cell as fabricated in a substrate, it should be apparent that many other arrangements are also possible.

Referring now to the drawings, where like elements are designated by like reference numerals, FIGS. 2-7 illustrate an exemplary embodiment of a method of forming a two-transistor CMOS pixel 100 (FIG. 7) having a buried reset region 199 formed in contact with and adjacent a charge collection region 126 of a photodiode 188, which also has a

region **124** over region **126** which is of complementary conductivity type to region **126**. The reset region **199** acts as an extension of charge collection region **126** of photodiode **188** and also functions to reset the extended charge collection region. As explained in detail below, the reset region **199** (FIG. 7) is formed by implanting dopants of a first conductivity, for example n-type, and at a first dopant concentration in a substrate **110**, which has a region or well **120** of a second conductivity type, for example p-type. The buried reset channel **199** (FIG. 7) contacts with the charge collection region **126** of the first conductivity type, for example n-type, and is provided with a contact region **177** (FIG. 7) of the first conductivity type, for example n-type. The contact region **177** is further connected by a conductor **137** to a gate of a source follower transistor **136**, the output of which (drain **140**) is connected to a row select transistor **138**.

The contact region **177** is also connected to one side of a charge capacitor **171**, the other side of which receives a signal V_{pd} from reset signal source **176**. A region **166** of the second conductivity type, for example p-type, is also fabricated within the buried reset channel **199** and is electrically coupled to the photodiode **188** region **124** through a conductivity segment **157**. The conductive segment **157** may be formed as a continuation of doped regions **124** and **166** into or out of the plane of the FIG. 7 cross-section illustration such that they merge. The doping concentration of the buried reset channel **199** is higher than the doping concentration of the charge collection region **126**, causing electrons produced at region **126** to flow through the buried reset channel **199** to the contact region **177** and the regions **126** and channel **199** to collectively act as a charge collection region of photodiode **188**. The manner in which the FIG. 7 structure is fabricated will be described below.

One exemplary method of fabricating the FIG. 7 structure will now be described with reference to FIGS. 2-7. FIG. 2 illustrates a cross-sectional view of substrate **110** on and within which the formation of elements of the pixel **100** will be described. For exemplary purposes, the substrate **110** is a silicon substrate. However, as noted above, the invention has equal application to other semiconductor substrates.

FIG. 2 illustrates two isolation regions **150** which surround and isolate fabricated pixels. Multi-layered gate stacks **136a** and **138a** of source follower and row select transistors **136** and **138**, respectively, are formed over the silicon substrate **110** within the area defined by the isolation regions **150**. The source follower and row select gate stacks **136a**, **138a** comprise a first gate oxide layer **131** of grown or deposited silicon oxide on the silicon substrate **110**, a conductive layer **132** of doped polysilicon or other suitable conductor material, and a second insulating layer **133**, which may be formed of, for example, silicon oxide (silicon dioxide), nitride (silicon nitride), oxynitride (silicon oxynitride), ON (oxide-nitride), NO (nitride-oxide), or ONO (oxide-nitride-oxide). The first and second insulating layers **131**, **133** and the conductive layer **132** may be formed by conventional deposition methods, for example, chemical vapor deposition (CVD) or plasma enhanced chemical vapor deposition (PECVD), among many others.

If desired, a silicide layer (not shown) may be also formed in the multi-layered gate stacks **136a**, **138a** between the conductive layer **132** and the second insulating layer **133**. Advantageously, the gate structures of all other transistors in the imager circuit design may have this additionally formed silicide layer. This silicide layer may be titanium silicide, tungsten silicide, cobalt silicide, molybdenum silicide, or tantalum silicide. The silicide layer could also be a barrier

layer/refractory metal such as TiN/W or WN_x/W or it could be entirely formed of WN_x . FIG. 4 also illustrates insulating sidewall spacers **134** formed on the sides of the source follower gate **136a** and of the row select gate **138a**. The sidewall spacers **134** may be formed, for example, of silicon dioxide, silicon nitride, silicon oxynitride, ON, NO, ONO or TEOS, among others.

The isolation regions **150** which are formed within the substrate **110** are filled with a dielectric material, which may be an oxide material, for example a silicon oxide such as SiO or SiO₂, oxynitride, a nitride material such as silicon nitride, silicon carbide, a high temperature polymer, or other suitable dielectric materials. In a preferred embodiment, however, the isolation regions **150** are shallow trench isolation regions and the dielectric material is a high density plasma (HDP) oxide, a material which has a high ability to effectively fill narrow trenches. Thus, for simplicity, reference to the isolation regions **150** will be made in this application as to the shallow trench isolation regions **150**. The shallow trench isolation regions **150** have a depth of about 1,000 to about 4,000 Angstroms, more preferably of about 2,000 Angstroms.

Although FIGS. 2-7 illustrate only a portion of the substrate **110** with only two shallow trench isolation regions **150**, it must be understood that the present invention contemplates the simultaneous formation of more than two shallow trench isolation structures at various locations on the substrate **110** to isolate the pixels one from another and to isolate other structures as well.

In addition, if desired, a thin insulating layer (not shown) may be formed on the sidewalls and bottom of the shallow trench before the filling of the trench with the dielectric material which, as noted above, is preferably a high density plasma (HDP) oxide. The thin insulating layer may be formed of an oxide or of silicon nitride, for example, to aid in smoothing out the corners in the bottom of the trench and to reduce the amount of stress in the dielectric material used to later fill in the trenches.

Referring now to FIG. 3, a p-n-p photodiode **188** is formed by regions **124**, **126** and **120** within the substrate **110**. The doping concentration of each of the regions **124**, **126** and **120** of the p-n-p photodiode **188** is selected to set a low pinning potential of the p-n-p photodiode **188**, that is a pinning potential of less than about 0.5 V, more preferably about 0.3 to less than about 0.5 V. As known in the art, a low pinning potential is desirable since the lower the pinning potential, the lower the electric fields and the lower the dark current in the pixel.

The p-type doped layer **120** is a lightly doped layer formed in an area of the substrate **110** beneath the active area of the pixel **100** formed by conducting a light dopant implantation with a dopant of a first conductivity type, which for exemplary purposes is p-type. The p-type doped layer **120** may be formed subsequent to the formation of the shallow trench isolation (STI) **150** and of the two transistor gate stacks **136a**, **138a**. However, it must be understood that the p-type doped layer **120** may be also formed prior to the formation of the shallow trench isolation (STI) **150** and/or gate stacks **136a**, **138a**. Alternatively, layer **120** may be a p-type epitaxial layer formed at the upper portion of substrate **110**.

The n-type region **126** (FIG. 3) is formed by implanting dopants of a second conductivity type, which for exemplary purposes is n-type, in an area of the substrate **110** located between the shallow trench isolation (STI) **150** and the transistor gate stacks **136a**, **138a**. The implanted n-doped region **126** is defined by a mask and forms a photosensitive

charge storage region for collecting and storing photogenerated electrons. N-type dopants such as arsenic, antimony, or phosphorous may be employed.

The p-type pinned surface layer **124** is also formed by conducting a masked dopant implantation with a dopant of the first conductivity type, which for exemplary purposes is p-type, so that p-type ions are implanted into the area of the substrate over the implanted n-type region **126** and between the source follower transistor **136** and shallow trench isolation region **150**. P-type dopants such as boron, beryllium, indium and magnesium may be employed for the formation of the p-type pinned surface layer **124**.

Subsequent to the formation of the p-n-p photodiode **188** and of the source follower and row select transistor gates **136a**, **138a**, a first photoresist layer **167** (FIG. 4) is formed over the p-n-p photodiode **188** to a thickness of about 1,000 Angstroms to about 10,000 Angstroms. The first photoresist layer **167** (FIG. 6) is patterned to form a first opening **168** (FIG. 6) which, on the left side of FIG. 4, is approximately coincident with the edge of the pinned photodiode **188** (the right most edge of the pinned photodiode **188** in FIG. 6) and, from the right side of FIG. 4 extends over the source follower transistor gate **136**.

Next, the structure of FIG. 4 is subjected to a first dopant implantation **169** with a dopant of the second conductivity type, which for exemplary purposes is n-type. This way, n-type ions are implanted through the first opening **168** to form an n-type implanted reset region **199** located within the p-type doped layer **120** of the substrate **110** and in contact with and adjacent the n-type doped region **126** of the buried photodiode **188**, as illustrated in FIG. 5. As described in more detail below, the n-type implanted region **199** is the reset region **199** of the pixel **100** of FIG. 7.

The deep dopant implantation **169** (FIG. 4) is conducted to implant n-type ions, such as arsenic, phosphorus or antimony, into an area of the substrate **110** located adjacent the buried photodiode **188** and a subsequently formed source/drain region **142** (FIG. 7) of the source follower transistor **136**. The dopant implantation **169** may be conducted by placing the substrate **110** in an ion implanter and implanting appropriate n-type dopant ions through the first opening **168** (FIG. 6) into the substrate **110**. The dopant concentration in the buried reset channel region **199** is selected so that its pinning potential is higher than the pinning potential of the buried photodiode **188**, to allow free electron flow to and through the buried reset channel region **199** and enable the buried reset channel region **199** to also function as an "anti-blooming" channel during the pixel signal integration period. The first photoresist layer **167** is then removed by conventional techniques.

Subsequent to the formation of the n-type buried reset channel region **199**, a second photoresist layer **176** (FIG. 5) is formed over the p-n-p photodiode **188** and the transistor gate stacks **136**, **138** to a thickness of about 1,000 Angstroms to about 10,000 Angstroms. The second photoresist layer **176** (FIG. 5) is patterned with a mask (not shown) to obtain a second opening **178** (FIG. 5), which is located above at least a portion of the implanted reset channel region **199** and has a width W_2 (FIG. 5) which is smaller than width W_1 (FIG. 4) of the first opening **168**.

The structure of FIG. 5 is subjected to a second masked dopant implantation **179** (FIG. 7) with a dopant of the first conductivity type, which for exemplary purposes is p-type. This way, p-type ions are implanted through the second opening **178** (FIG. 7) to form a p-type implanted region **166** located within the buried reset channel region **199**, as illustrated in FIG. 6. The second dopant implantation **179** is

conducted to implant p-type ions, such as boron, beryllium, indium or magnesium, into an area of the substrate **110** located within the buried reset channel region **199**. The dopant implantation **179** may be conducted by placing the substrate **110** in an ion implanter and implanting appropriate p-type dopant ions through the second opening **178** (FIG. 7) into the substrate **110**. The implanted region **166** together with the reset channel region form a diode which can be fabricated to impart particular charge flow properties within the reset channel region **199**.

The FIG. 6 structure is then covered with another resist layer and an opening is patterned therein to provide a location for a contact region **177** (FIG. 7) within the buried reset channel **199**. Contact region **177** is formed by conducting a dopant implantation with n-type ions, such as arsenic, phosphorus or antimony. The dopant concentration in the contact region **177** is higher than the dopant concentration in the buried reset channel region **199**.

FIG. 7 illustrates a charge capacitor **171** electrically connected to a voltage source V_{pd} **176** (normally high at about 3.3 V) and to the reset region **199** through the contact region **177** of the first conductivity type. Preferably, the charge capacitor **171** has a high charge-per-unit area capacitance, of about 5 to about 10 fF/ μm^2 . The charge capacitor **171** may be formed over a portion of the pixel area defined by the STI regions **150** which surround the pixel, or elsewhere in the integrated circuit, as desired.

FIG. 7 also illustrates the remaining devices of the pixel **100**, including respective source/drain regions **140**, **141**, **142** of the source follower and row select transistors **136**, **138** formed on either sides of their respective gate stacks and within a p-type heavily doped well **121** by well-known implantation methods. Regions **121**, **140**, **141** and **142** may be formed at an earlier stage of fabrication, if desired. Conventional processing steps may be also employed to form contacts and wiring **137** to connect the gate of source follower transistor to contact region **177**, and to connect capacitor **171** to contact region **177**. For example, the entire substrate surface may be covered with a passivation layer of, e.g., silicon dioxide, BSG, PSG, or BPSG, which is CMP planarized and etched to provide contact holes, which are then metallized to provide contacts to the contact region **177**, gate **136a** of the source follower transistor (via conductor **137**) and to voltage source V_{dd} . Conventional multiple layers of conductors and insulators to other circuit structures may also be used to interconnect the internal structures of the pixel cell and to connect the pixel cell structures to other circuitry associated with a pixel array.

The electrical equivalent circuit for the two transistor pixel constructed in accordance with the invention is shown in FIG. 9.

Referring to FIGS. 7 and 8, when light radiation in the form of photons strikes the n-doped charge collection region **126** of the photodiode **188**, photo-energy is converted to electron-hole pairs. For the case of an n-doped photosite in a p-n-p photodiode, it is the electrons that are accumulated in the n-doped region **126**. Because of the difference in doping concentration between regions **126** and **199**, generated electrons freely flow into reset region **199** where they collect. During read out of a pixel signal contact region **177** provides a voltage representing accumulated charge to the gate of the source follower transistor.

Thus, when V_{pd} from a reset signal source **176** is normally high, for example 3.3 V, electrons from charge collection region **126** easily flow to the n-doped buried reset channel **199** which acts as an extension of charge collection region **126** to contact **177**, where the electrons are stored on

capacitor 171. The voltage associated with the charge stored on capacitor 171 is applied to the gate 136a of the source follower transistor 136 where it is amplified and read out as output Vout through row select transistor 138 when the gate 138a of the row select transistor 138 is enabled.

The pixel is also reset before and after signal integration. Referring to FIGS. 7 and 8 during reset, the normally high voltage Vpd coupled to capacitor 171 from reset signal source 176 is pulsed low, e.g., to zero volts. This causes the charge within reset region 199 to effectively move upwardly in the direction of arrow A such that charges within channel 199 spill over barrier 147 into n+ region 142 which is connected to Vdd. Thus, charges are ejected from the photodiode region 126 and the reset region 199 and into n+ region 142 connected to Vdd. Vpd is then returned to a high value, for example 3.3 V, allowing charge integration to occur. This integrated charge is then read out in the manner described above. The barrier potential 147 is set to allow an anti-blooming operation to occur when charges collected on capacitor 171 in region 199 exceed the barrier potential 147. This excess charge spills over to n+ region 142.

During reset, the Vdd line can also be pulsed low, if desired, to fill the charge collection region 126 with electrons, after which Vdd returns high and Vpd is pulsed low. This causes the electrons in charge collection region 126 to be flushed to Vdd which helps suppress any potential lag in the pixel.

Referring to FIG. 9, light converted to electrons by photodiode 188 provides a voltage at node A to the gate of source follower transistor 136 which is read out as a pixel signal Vsig by row select transistor 138 which is turned on after a light integration period. Node A is reset by the negative, e.g., 0 volt, Vpd pulse applied by reset signal source 176 to one terminal of capacitor 171 which has its other terminal coupled to node A. The reset voltage at node A is read out as a pixel reset signal Vrst by row select transistor 138 which is turned on after node A is reset.

The pixel structure herein may be employed in an imager device 642 having an array of pixels and associated pixel processing circuitry, at least one of the pixels being a 2T pixel constructed according to the invention. The imager device 642 itself may be coupled to a processor system as illustrated in FIG. 10. Processor system 600 is exemplary of a system having digital circuits which could receive the output of CMOS image device 642. Without being limiting, such a system could include a computer system, camera system, scanner, machine vision, vehicle navigation, video phone, surveillance system, auto focus system, star tracker system, motion detection system, image stabilization system and data compression system for high-definition television, all of which can utilize the present invention.

A processor based system, such as a computer system, for example generally comprises, in addition to a CMOS imager 642 input device, a central processing unit (CPU) 644, for example, a microprocessor, that communicates with one or more input/output (I/O) devices 646 over a bus 652. The CMOS image sensor 642 also communicates with the processor system over bus 652 or over other conventional communication path. The computer system 600 also includes random access memory (RAM) 648, and, in the case of a computer system may include peripheral devices such as a floppy disk drive 654, and a compact disk (CD) ROM drive 656 or a flash memory card 657 which also communicate with CPU 644 over the bus 652. It may also be desirable to integrate the processor 644, CMOS image device 642 and memory 648 on a single IC chip.

Although the above embodiments have been described with reference to the formation of an n-type buried reset channel region, such as the n-type buried reset channel region 199, adjacent a buried p-n-p photodiode, it must be understood that the invention is not limited to this embodiment. The invention has equal applicability to p-type buried reset channels adjacent buried n-p-n photodiodes and as part of a 2T pixel sensor cell. Of course, the dopant and conductivity type of all structures will change accordingly.

The above description and drawings are only to be considered illustrative of exemplary embodiments, which achieve the features and advantages of the invention. Modification and substitutions to specific process conditions and structures can be made without departing from the spirit and scope of the invention. Accordingly, the invention is not to be considered as being limited by the foregoing description and drawings, but is only limited by the scope of the appended claims.

What is claimed as new and desired to be protected by Letters Patent of the United States is:

1. A pixel comprising:
 - a substrate;
 - a photoconversion device fabricated in said substrate, said device having a charge collection region;
 - a reset region of a first conductivity type fabricated in said substrate and coupled to said charge collection region, said reset region being configured to apply a reset charge to said charge collection region in response to a pulsed reset signal applied to said reset region;
 - a pulsed voltage source for providing said pulsed reset signal; and
 - a capacitor, said capacitor having a first terminal in electrical communication with said pulsed voltage source and a second terminal in electrical communication with said reset region,
 wherein said charge collection region is reset solely through a signal supplied by said capacitor.
2. The pixel of claim 1, wherein said first conductivity type is n-type.
3. The pixel of claim 1, wherein said reset region functions with said charge collection region as an extended charge collection region, said extended charge collection region being reset by said pulsed reset signal.
4. The pixel of claim 3 further comprising:
 - a source follower transistor for outputting a signal representing charge collected in said extended charge collection region; and
 - a row select transistor for selectively outputting a signal from said source follower transistor,
 wherein said capacitor stores charge collected in said charge collection region.
5. The pixel of claim 4, wherein said charge capacitor has a charge-per-unit area capacitance value of about 5 fF/ μm^2 to about 10 fF/ μm^2 .
6. The pixel of claim 4, wherein said pulsed voltage source is operable such that said charge level of said charge collection region is reset both before and after charge is collected in said charge collection region.
7. A pixel for use in an imaging device, said pixel comprising:
 - a charge collection region provided in a substrate;
 - a reset region consisting of a doped region provided in said substrate, said reset region being adjacent said charge collection region for periodically resetting a charge level of said charge collection region in response to a reset signal applied to said reset region;

9

a source follower transistor for outputting a signal representing charge collected in said charge collection region;

a row select transistor for selectively outputting a signal from said source follower transistor;

a pulsed voltage source for providing a pulse signal; and
 a capacitor in electrical communication with said pulsed voltage source, said reset region, and said source follower transistor for storing charge collected in said charge collection region, and for supplying said pulse signal as said reset signal to said doped region.

8. The pixel of claim 7, wherein said reset region functions with said charge collection region as an extended charge collection region, and wherein said pulsed voltage source periodically supplies said pulse signal.

9. The pixel of claim 7, wherein said capacitor has a charge-per-unit area capacitance value of about 5 to about 10 $\text{Ff}/\mu\text{m}^2$.

10

10. The pixel of claim 7, wherein said pulsed voltage source is operable such that said charge level of said charge collection region is reset both before and after charge is collected in said charge collection region.

11. The pixel of claim 7, wherein said reset region is doped with an n-type dopant at a first dopant concentration.

12. The pixel of claim 11, wherein said capacitor is connected to said reset region through a contact region.

13. The pixel of claim 12, wherein said contact region is doped with an n-type dopant at a second dopant concentration.

14. The pixel of claim 13, wherein said second dopant concentration is higher than said first dopant concentration.

* * * * *

UNITED STATES PATENT AND TRADEMARK OFFICE
CERTIFICATE OF CORRECTION

PATENT NO. : 7,365,409 B2
APPLICATION NO. : 10/827379
DATED : April 29, 2008
INVENTOR(S) : Fossum

Page 1 of 1

It is certified that error appears in the above-identified patent and that said Letters Patent is hereby corrected as shown below:

In column 8, line 55, in Claim 5, delete "Ff/ μm^2 ." and insert -- fF/ μm^2 . --, therefor.

In column 9, line 18, in Claim 9, delete "Ff/ μm^2 ." and insert -- fF/ μm^2 . --, therefor.

Signed and Sealed this

Twenty-ninth Day of July, 2008

A handwritten signature in black ink that reads "Jon W. Dudas". The signature is written in a cursive style with a large, looped initial "J".

JON W. DUDAS
Director of the United States Patent and Trademark Office