



# United States Patent [19]

[11] Patent Number: **5,471,515**

Fossum et al.

[45] Date of Patent: **Nov. 28, 1995**

## [54] ACTIVE PIXEL SENSOR WITH INTRA-PIXEL CHARGE TRANSFER

[75] Inventors: **Eric R. Fossum, LaCrescenta; Sunetra Mendis, Pasadena; Sabrina E. Kemeny, LaCrescenta, all of Calif.**

[73] Assignee: **California Institute of Technology, Pasadena, Calif.**

[21] Appl. No.: **188,032**

[22] Filed: **Jan. 28, 1994**

[51] Int. Cl.<sup>6</sup> ..... **G11C 19/28; H01L 27/14; H01L 27/02; H03K 5/159**

[52] U.S. Cl. .... **377/60; 257/239; 257/292; 257/294; 327/94**

[58] Field of Search ..... **257/239, 292, 257/294, 369-371; 377/60; 327/91, 94**

### [56] References Cited

#### U.S. PATENT DOCUMENTS

3,623,132	11/1971	Green	377/60
4,093,872	6/1978	Hartman et al.	377/60
4,155,094	5/1979	Ohba et al.	257/292
4,287,441	9/1981	Smith	307/353
4,309,624	1/1982	Hynecek et al.	257/239
4,683,580	7/1987	Matsunaga	377/60

4,859,624	8/1989	Goto	257/371
5,184,203	2/1993	Taguchi	257/370
5,192,990	3/1993	Stevens	377/60
5,198,880	3/1993	Taguchi et al.	257/370
5,323,052	6/1994	Koyama	257/294

#### FOREIGN PATENT DOCUMENTS

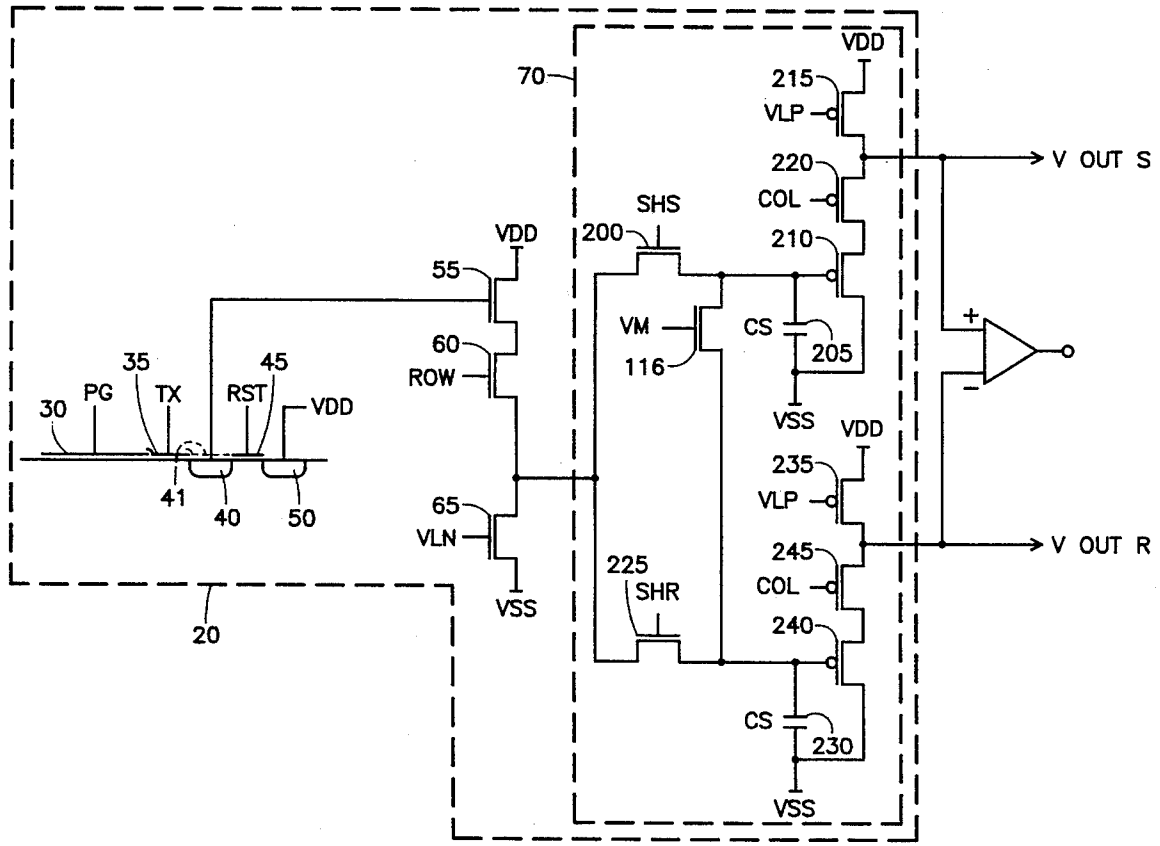
5235317	9/1993	Japan	257/258
---------	--------	-------	---------

*Primary Examiner*—Gene M. Munson  
*Attorney, Agent, or Firm*—Michael L. Keller; Robert M. Wallace

### [57] ABSTRACT

An imaging device formed as a monolithic complementary metal oxide semiconductor integrated circuit in an industry standard complementary metal oxide semiconductor process, the integrated circuit including a focal plane array of pixel cells, each one of the cells including a photogate overlying the substrate for accumulating photo-generated charge in an underlying portion of the substrate, a readout circuit including at least an output field effect transistor formed in the substrate, and a charge coupled device section formed on the substrate adjacent the photogate having a sensing node connected to the output transistor and at least one charge coupled device stage for transferring charge from the underlying portion of the substrate to the sensing node.

**18 Claims, 2 Drawing Sheets**



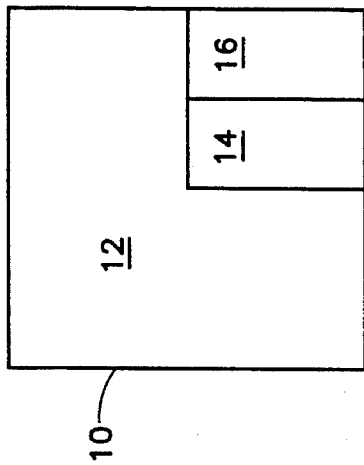


FIG. 1

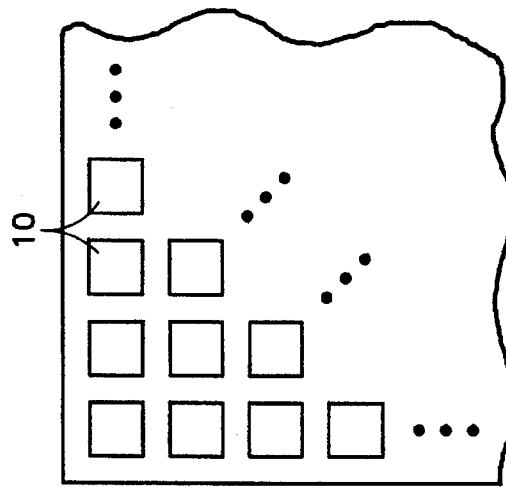


FIG. 2

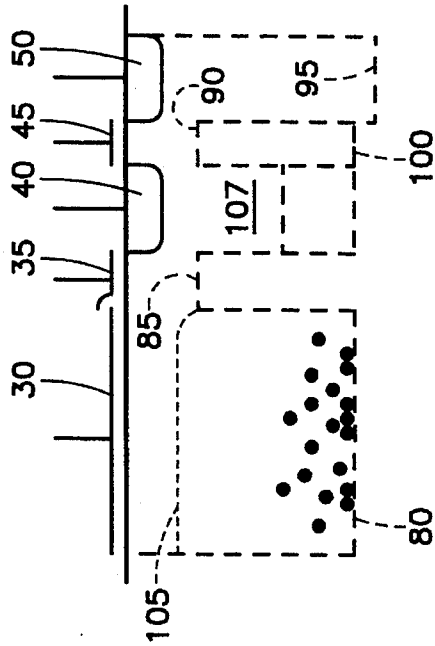


FIG. 4

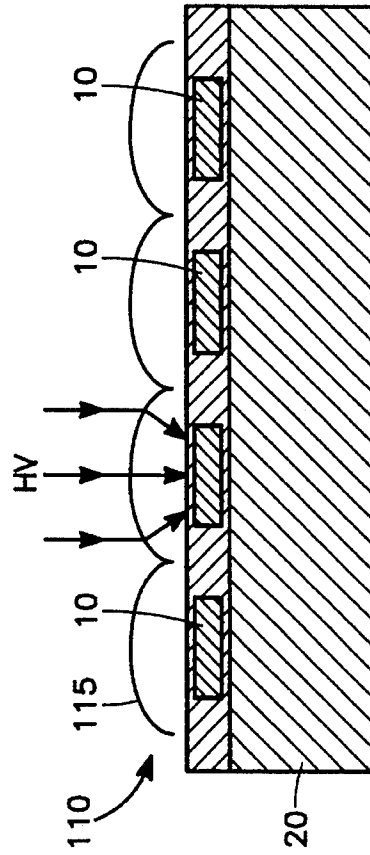


FIG. 5

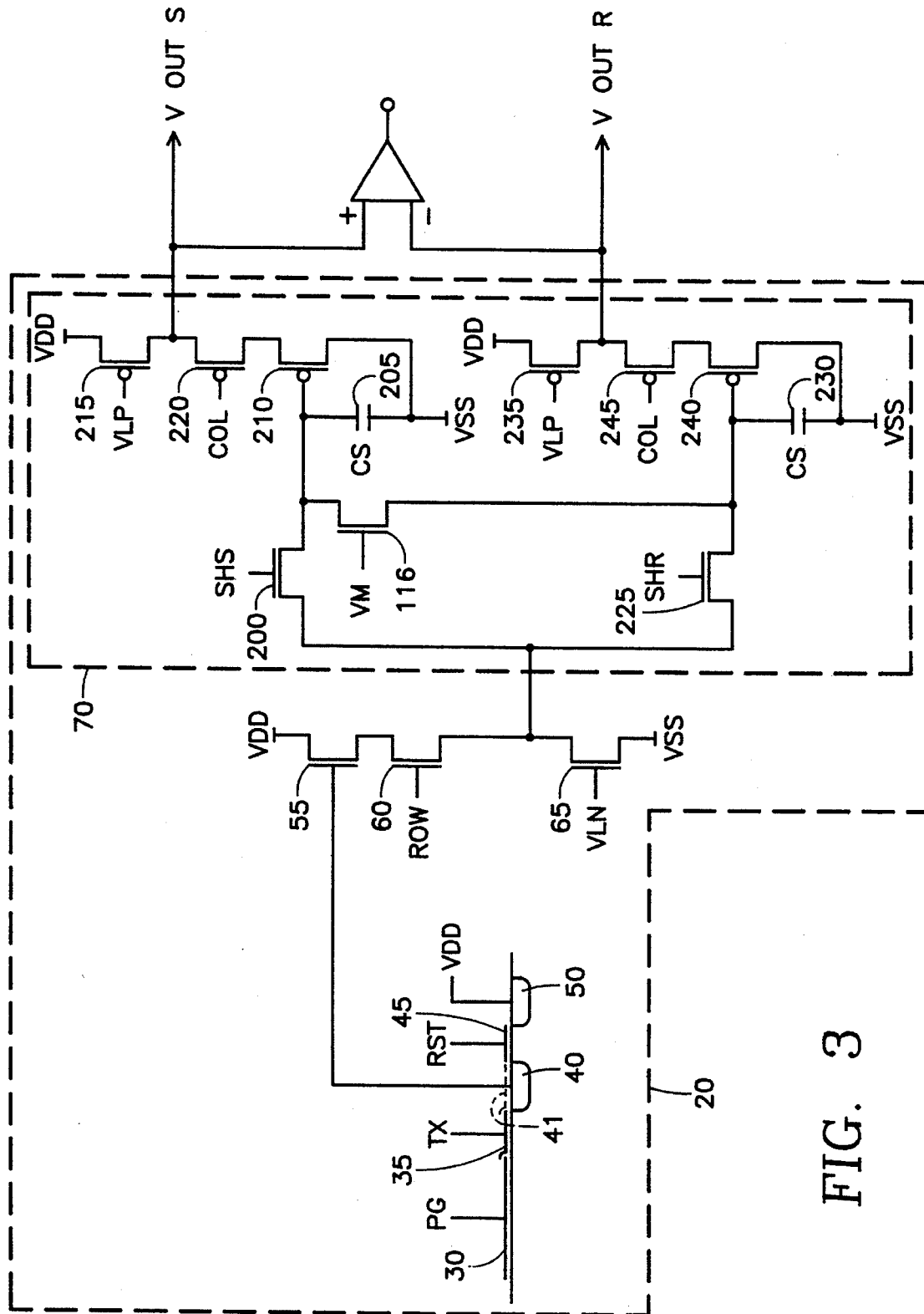


FIG. 3

## ACTIVE PIXEL SENSOR WITH INTRA-PIXEL CHARGE TRANSFER

### ORIGIN OF THE INVENTION

The invention described herein was made in the performance of work under a NASA contract, and is subject to the provisions of Public Law 96-517 (35 USC 202) in which the Contractor has elected to retain title.

### BACKGROUND OF THE INVENTION

#### 1. Technical Field

The invention is related to semiconductor imaging devices and in particular to a silicon imaging device which can be fabricated using a standard CMOS process.

#### 2. Background Art

There are a number of types of semiconductor imagers, including charge coupled devices, photodiode arrays, charge injection devices and hybrid focal plane arrays. Charge coupled devices enjoy a number of advantages because they are an incumbent technology, they are capable of large formats and very small pixel size and they facilitate noiseless charge domain processing techniques (such as binning and time delay integration). However, charge coupled device imagers suffer from a number of disadvantages. For example, they exhibit destructive signal read-out and their signal fidelity decreases as the charge transfer efficiency raised to the power of the number of stages, so that they must have a nearly perfect charge transfer efficiency. They are particularly susceptible to radiation damage, they require good light shielding to avoid smear and they have high power dissipation for large arrays.

In order to ameliorate the charge transfer inefficiency problem, charge coupled device (CCD) imagers are fabricated with a specialized CCD semiconductor fabrication process to maximize their charge transfer efficiency. The difficulty is that the standard CCD process is incompatible with complementary metal oxide semiconductor (CMOS) processing, while the image signal processing electronics required for the imager are best fabricated in CMOS. Accordingly, it is impractical to integrate on-chip signal processing electronics in a CCD imager. Thus, the signal processing electronics is off-chip. Typically, each column of CCD pixels is transferred to a corresponding cell of a serial output register, whose output is amplified by a single on-chip amplifier (e.g., a source follower transistor) before being processed in off-chip signal processing electronics. As a result, the read-out frame rate is limited by the rate at which the on-chip amplifier can handle charge packets divided by the number of pixels in the imager.

The other types of imager devices have problems as well. Photodiode arrays exhibit high noise due to so-called kTC noise which makes it impossible to reset a diode or capacitor node to the same initial voltage at the beginning of each integration period. Photodiode arrays also suffer from lag. Charge injection devices also suffer from high noise, but enjoy the advantage of non-destructive readout over charge coupled devices.

Hybrid focal plane arrays exhibit less noise but are prohibitively expensive for many applications and have relatively small array sizes (e.g., 512-by-512 pixels).

What is needed is an imager device which has the low kTC noise level of a CCD without suffering from the destructive readout tendencies of a CCD.

## SUMMARY OF THE DISCLOSURE

The invention is embodied in an imaging device formed as a monolithic complementary metal oxide semiconductor integrated circuit in an industry standard complementary metal oxide semiconductor process, the integrated circuit including a focal plane array of pixel cells, each one of the cells including a photogate overlying the substrate for accumulating photo-generated charge in an underlying portion of the substrate, a readout circuit including at least an output field effect transistor formed in the substrate, and a charge coupled device section formed on the substrate adjacent the photogate having a sensing node connected to the output transistor and at least one charge coupled device stage for transferring charge from the underlying portion of the substrate to the sensing node.

In a preferred embodiment, the sensing node of the charge coupled device stage includes a floating diffusion, and the charge coupled device stage includes a transfer gate overlying the substrate between the floating diffusion and the photogate. This preferred embodiment can further include apparatus for periodically resetting a potential of the sensing node to a predetermined potential, including a drain diffusion connected to a drain bias voltage and a reset gate between the floating diffusion and the drain diffusion, the reset gate connected to a reset control signal.

Preferably, the output transistor is a field effect source follower transistor, the floating diffusion being connected to a gate of the source follower transistor. Preferably, the readout circuit further includes a double correlated sampling circuit having an input node connected to the output transistor. In the preferred implementation, the double correlated sampling circuit samples the floating diffusion immediately after it has been reset at one capacitor and then, later, at the end of the integration period at another capacitor. The difference between the two capacitors is the signal output. In accordance with a further refinement, this difference is corrected for fixed pattern noise by subtracting from it another difference sensed between the two capacitors while they are temporarily shorted.

### BRIEF DESCRIPTION OF THE DRAWINGS

FIG. 1 is a diagram illustrating the architecture of an individual focal plane cell of the invention.

FIG. 2 is a plan view of an integrated circuit constituting a focal plane array of cells of the type illustrated in FIG. 1.

FIG. 3 is a schematic diagram of the cell of FIG. 1.

FIG. 4 is a graph of the surface potential in the the charge transfer section of the cell of FIG. 3.

FIG. 5 is a cross-sectional view of an alternative embodiment of the focal plane array of FIG. 2 including a micro-lens layer.

### DETAILED DESCRIPTION OF THE PREFERRED EMBODIMENTS

FIG. 1 is a simplified block diagram of one pixel cell 10 of a focal plane array of many such cells formed in an integrated circuit. Each cell 10 includes a photogate 12, a charge transfer section 14 adjacent the photogate 12 and a readout circuit 16 adjacent the charge transfer section 14. FIG. 2 shows a focal plane array of many cells 10 formed on a silicon substrate 20. FIG. 3 is a simplified schematic diagram of a cell 10. Referring to FIG. 3, the photogate 12 consists of a relative large photogate electrode 30 overlying the substrate 20. The charge transfer section 14 consists of

a transfer gate electrode **35** adjacent the photogate electrode **30**, a floating diffusion **40**, a reset electrode **45** and a drain diffusion **50**. The readout circuit **16** consists of a source follower field effect transistor (FET) **55**, a row select FET **60**, a load FET **65** and a correlated double sampling circuit **70**.

Referring to the surface potential diagram of FIG. 4, the photogate electrode **30** is held by a photogate signal PG at a positive voltage to form a potential well **80** in the substrate **20** in which photo-generated charge is accumulated during an integration period. The transfer gate electrode **35** is initially held at a less positive voltage by a transfer gate signal TX to form a potential barrier **85** adjacent the potential well **80**. The floating diffusion **40** is connected to the gate of the source follower FET **55** whose drain is connected to a drain supply voltage VDD. The reset electrode **45** is initially held by a reset signal RST at a voltage corresponding to the voltage on the transfer gate **30** to form a potential barrier **90** thereunder. The drain supply voltage VDD connected to the drain diffusion **50** creates a constant potential well **95** underneath the drain diffusion **50**.

During the integration period, electrons accumulate in the potential well **80** in proportion to photon flux incident on the substrate **20** beneath the photogate electrode **30**. At the end of the integration period, the surface potential beneath the floating diffusion **40** is quickly reset to a potential level **100** slightly above the potential well **95**. This is accomplished by the reset signal RST temporarily increasing to a higher positive voltage to temporarily remove the potential barrier **90** and provide a downward potential staircase from the transfer gate potential barrier **85** to the drain diffusion potential well **95**, as indicated in the drawing of FIG. 4. After the reset gate **45** is returned to its initial potential (restoring the potential barrier **90**), the readout circuit **70** briefly samples the potential of the floating diffusion **40**, and then the cell **10** is ready to transfer the photo-generated charge from beneath the photogate electrode **30**. For this purpose, the photogate signal PG decreases to a less positive voltage to form a potential barrier **105** beneath the photogate electrode **30** and thereby provide a downward staircase surface potential from the photogate electrode **30** to the potential well **100** beneath the floating diffusion **40**. This transfers all of the charge from beneath the photogate electrode **30** to the floating diffusion **40**, changing the potential of the floating diffusion **40** from the level (**100**) at which it was previously reset to a new level **107** indicative of the amount of charge accumulated during the integration period. This new potential of the floating diffusion **40** is sensed at the source of the source follower FET **55**. However, before the readout circuit **70** samples the source of the source follower FET **55**, the photogate signal PG returns to its initial (more positive) voltage. The entire process is repeated for the next integration period.

The readout circuit **70** consists of a signal sample and hold (S/H) circuit including an S/H FET **200** and a signal store capacitor **205** connected through the S/H FET **200** and through the row select FET **60** to the source of the source follower FET **55**. The other side of the capacitor **205** is connected to a source bias voltage VSS. The one side of the capacitor **205** is also connected to the gate of an output FET **210**. The drain of the output FET is connected through a column select FET **220** to a signal sample output node VOUTS and through a load FET **215** to the drain voltage VDD. A signal called "signal sample and hold" (SHS) briefly turns on the S/H FET **200** after the charge accumulated beneath the photogate electrode **30** has been transferred to the floating diffusion **40**, so that the capacitor **205**

stores the source voltage of the source follower FET **55** indicating the amount of charge previously accumulated beneath the photogate electrode **30**.

The readout circuit **70** also consists of a reset sample and hold (S/H) circuit including an S/H FET **225** and a signal store capacitor **230** connected through the S/H FET **225** and through the row select FET **60** to the source of the source follower FET **55**. The other side of the capacitor **230** is connected to the source bias voltage VSS. The one side of the capacitor **230** is also connected to the gate of an output FET **240**. The drain of the output FET **240** is connected through a column select FET **245** to a reset sample output node VOUTR and through a load FET **235** to the drain voltage VDD. A signal called "reset sample and hold" (SHR) briefly turns on the S/H FET **225** immediately after the reset signal RST has caused the resetting of the potential of the floating diffusion **40**, so that the capacitor **230** stores the voltage at which the floating diffusion has been reset to.

The readout circuit provides correlated double sampling of the potential of the floating diffusion, in that the charge integrated beneath the photogate **12** each integration period is obtained at the end of each integration period from the difference between the voltages at the output nodes VOUTS and VOUTR of the readout circuit **70**. This eliminates the effects of kTC noise because the difference between VOUTS and VOUTR is independent of any variation in the reset voltage RST, a significant advantage.

Referring to FIG. 5, a transparent refractive microlens layer **110** may be deposited over the top of the focal plane array of FIG. 2. The microlens layer **110** consists of spherical portions **115** centered over each of the cells **10** and contoured so as to focus light toward the center of each photogate **12**. This has the advantage of using light that would otherwise fall outside of the optically active region of the photogate **12**. For example, at least some of the light ordinarily incident on either the charger transfer section **14** or the readout circuit **16** (FIG. 1) would be sensed in the photogate area with the addition of the microlens layer **110**.

Preferably, the focal plane array corresponding to FIGS. 1-4 is implemented in CMOS silicon using an industry standard CMOS fabrication process. Preferably, each of the FETs is a MOSFET, the FETs **55**, **60**, **65**, **200** and **225** being n-channel devices and the FETs **210**, **220**, **225**, **230**, **240**, **245** being p-channel devices. The n-channel MOSFETs and the CCD channel underlying the gate electrodes **30**, **35**, **45** and the diffusions **40** and **50** may be located in a p-well while the remaining (p-channel) devices are located outside of the p-well. The gate voltage VLP applied to the gates of the p-channel load FETs **215** and **235** is a constant voltage on the order of +2.5 volts. The gate voltage VLN applied to the n-channel load FET **65** is a constant voltage on the order of +1.5 volts.

Since the charge transfer section **14** involves only a single CCD stage between the photogate **12** and the floating diffusion **40** in the specific embodiment of FIG. 3, there is no loss due to charge transfer inefficiency and therefore there is no need to fabricate the device with a special CCD process. As a result, the readout circuit **70** as well as the output circuitry of the FETs **55**, **60** and **65** can be readily implemented as standard CMOS circuits, making them extremely inexpensive. However, any suitable charge coupled device architecture may be employed to implement the charge transfer section **14**, including a CCD having more than one stage. For example, two or three stages may be useful for buffering two or three integration periods.

Other implementations of the concept of the invention

may be readily constructed by the skilled worker in light of the foregoing disclosure. For example, the floating diffusion **40** may instead be a floating gate electrode. The signal and reset sample and hold circuits of the readout circuit **70** may be any suitable sample and hold circuits. Moreover, shielding of the type well-known in the art may be employed defining an aperture surrounding the photogate **12**. Also, the invention may be implemented as a buried channel device.

Another feature of the invention which is useful for eliminating fixed pattern noise due to variations in FET threshold voltage across the substrate **20** is a shorting FET **116** across the sampling capacitors **205**, **235**. After the accumulated charge has been measured as the potential difference between the two output nodes VOUTS and VOUTR, a shorting signal VM is temporarily applied to the gate of the shorting FET **116** and the VOUTS-to-VOUTR difference is measured again. This latter difference is a measure of the disparity between the threshold voltages of the output FETs **210**, **240**, and may be referred to as the fixed pattern difference. The fixed pattern difference is subtracted from the difference between VOUTS and VOUTR measured at the end of the integration period, to remove fixed pattern noise.

As previously mentioned herein, a floating gate may be employed instead of the floating diffusion **40**. Such a floating gate is indicated schematically in FIG. **3** by a simplified dashed line floating gate electrode **41**.

Preferably, the invention is fabricated using an industry standard CMOS process, so that all of the dopant concentrations of the n-channel and p-channel devices and of the various diffusions are in accordance with such a process. In one implementation, the area of the L-shaped photogate **12** (i.e., the photogate electrode **30**) was about 100 square microns; the transfer gate electrode **35** and the reset gate electrode were each about 1.5 microns by about 6 microns; the photogate signal PG was varied between about +5 volts (its more positive voltage) and about 0 volts (its less positive voltage); the transfer gate signal TX was about +2.5 volts; the reset signal RST was varied between about +5 volts (its more positive voltage) and about +2.5 volts (its less positive voltage); the drain diffusion **50** was held at about +5 volts.

While the invention has been described in detail by specific reference to preferred embodiments, it is understood that variations and modifications may be made without departing from the true spirit and scope of the invention.

What is claimed is:

1. An imaging device including a monolithic semiconductor integrated circuit substrate, said imaging device comprising a focal plane array of pixel cells, each one of said cells comprising:

a photogate overlying said substrate for accumulating photo-generated charge in an underlying portion of said substrate;

a readout circuit comprising at least an output transistor formed in said substrate;

a charge coupled device section formed on said substrate adjacent said photogate having a sensing node connected to said output transistor and at least one charge coupled device stage for transferring charge from said underlying portion of said substrate to said sensing node; and

wherein said readout circuit is a complementary metal oxide semiconductor (CMOS) circuit formed on said substrate, said substrate being of a first conductivity type, said CMOS circuit comprising plural metal oxide field effect transistors of a first conductivity type, a well

region of a second conductivity type in said substrate and plural metal oxide semiconductor transistors of a second conductivity type formed in said well region.

2. The imaging device of claim 1 wherein:

said sensing node of said charge coupled device section comprises a floating node; and

said charge coupled device stage comprises a transfer gate between said floating node and said photogate.

3. The imaging device of claim 2 wherein said floating node is one of: (a) a floating diffusion, and (b) a floating gate.

4. The imaging device of claim 2 further comprising:

a drain diffusion connected to a drain bias voltage; and

a reset gate between said floating node and said drain diffusion, said reset gate connected to a reset control signal.

5. The imaging device of claim 4 wherein said output transistor comprises a field effect source follower transistor, said floating node being connected to a gate of said source follower transistor.

6. The imaging device of claim 4 wherein said readout circuit further comprises a double correlated sampling circuit comprising:

a pair of sample and hold field effect transistors formed in said substrates, each sample and hold field effect transistor having one of a source and drain thereof connected to a source of said source follower transistor;

a pair of sample and hold capacitors connected to the other one of the source and drain of a respective one of said pair of sample and hold transistors; and

means for sensing a potential of each of said sample and hold capacitors at respective intervals.

7. The imaging device of claim 6 further comprising means for sensing a difference between the potentials of said pair of sample and hold capacitors.

8. The imaging device of claim 1 further comprising means for periodically resetting a potential of said sensing node to a predetermined potential.

9. The imaging device of claim 1 wherein said readout circuit further comprises a double correlated sampling circuit having an input node connected to said output transistor.

10. The imaging device of claim 1 further comprising a micro-lens layer overlying said substrate, said micro-lens layer comprising:

a refractive layer;

individual lenses formed in said layer in registration with individual ones of said cells, each of said individual lenses having a curvature for focusing light toward a center portion of the respective cell.

11. The imaging device of claim 10 wherein said refractive layer comprises a polymer.

12. The imaging device of claim 11 wherein said refractive layer comprises polyimide.

13. The imaging device of claim 10 wherein each of said individual lenses covers portions of the corresponding cell including said photogate as well as said charge coupled device stage and said readout circuit.

14. The device of claim 1 wherein said charge transfer device constitutes a single charge coupled device stage for transferring charge from said underlying portion of said substrate to said sensing node.

15. The device of claim 1 wherein said CMOS circuit comprises a double correlated sampling circuit.

16. An imaging device including a monolithic semiconductor integrated circuit substrate, said imaging device comprising a focal plane array of pixel cells, each one of said cells comprising:

7

a photogate overlying said substrate for accumulating photo-generated charge in an underlying portion of said substrate;

a readout circuit comprising at least an output transistor formed in said substrate; 5

a charge coupled device section formed on said substrate adjacent said photogate having a sensing node connected to said output transistor and at least one charge coupled device stage for transferring charge from said underlying portion of said substrate to said sensing node; 10

wherein said sensing node of said charge coupled device stage comprises a floating node and said charge coupled device stage comprises a transfer gate between said floating node and said photogate; 15

a drain diffusion connected to a drain bias voltage;

a reset gate between said floating node and said drain diffusion, said reset gate connected to a reset control signal; 20

wherein said readout circuit further comprises a double correlated sampling circuit comprising:

a pair of sample and hold field effect transistors formed in said substrate, each sample and hold field effect transistor having one of a source and drain thereof connected to a source of said output transistor; 25

a pair of sample and hold capacitors connected to the other one of the source and drain of a respective one of said pair of sample and hold transistors; 30

means for sensing a potential of each of said sample and hold capacitors at respective intervals; and

means for shorting across each of said pair of sample and hold capacitors simultaneously while said means for sensing measures a fixed pattern noise difference. 35

**17.** An imaging device including a monolithic semiconductor integrated circuit substrate, said imaging device comprising a focal plane array of pixel cells, each one of said cells comprising:

a photogate overlying said substrate for accumulating photo-generated charge in an underlying portion of said substrate; 40

a readout circuit comprising at least an output transistor formed in said substrate; 45

a charge coupled device section formed on said substrate adjacent said photogate having a sensing node connected to said output transistor and at least one charge coupled device stage for transferring charge from said

8

underlying portion of said substrate to said sensing node;

wherein said sensing node of said charge coupled device stage comprises a floating node and said charge coupled device stage comprises a transfer gate between said floating node and said photogate;

a drain diffusion connected to a drain bias voltage;

a reset gate between said floating node and said drain diffusion, said reset gate connected to a reset control signal;

wherein said readout circuit further comprises a double correlated sampling circuit comprising:

a pair of sample and hold field effect transistors formed in said substrate, each sample and hold field effect transistor having one of a source and drain thereof connected to a source of said output transistor;

a pair of sample and hold capacitors connected to the other one of the source and drain of a respective one of said pair of sample and hold transistors;

means for sensing a potential of each of said sample and hold capacitors at respective intervals;

wherein said focal plane array of cells is organized by rows and columns of said cells, and wherein said means for sensing comprises:

a row select field effect transistor formed in said substrate having its source and drain connected between said source of said source follower transistor and said pair of sample and hold transistors and a gate connected to a row select signal;

a pair of sample and hold output transistors having respective gates and sources connected across respective ones of said pair of sample and hold capacitors, and having respective drains;

respective differential output nodes of said correlated double sampling circuit; and

a pair of column select transistors formed in said substrate each having a source and drain connected between a drain of a respective one of said sample and hold output transistors and a gate connected to a column select signal.

**18.** The imaging device of claim 17 wherein each of said transistors is a metal oxide field effect transistor, said source follower transistor, said row select transistor and said pair sample and hold transistors being n-channel devices, said pair of sample and hold output transistors and said pair of column select transistors being p-channel devices.

\* \* \* \* \*